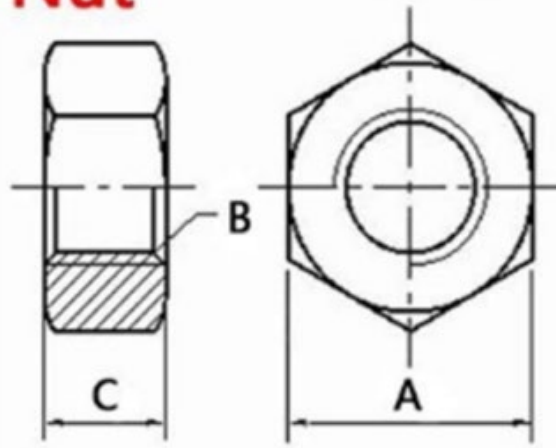


Nut



Matric Thread

Nut Size	B Thread diameter	C Thick	A Wide
M12	M12 12mm	2.00mm	13.50 ±0.2mm