

16

NEB/J 21 C

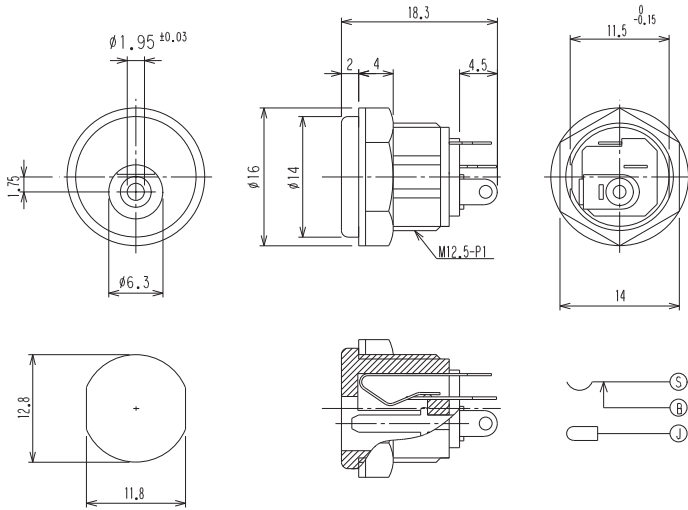
Power supply connectors



Power supply chassis socket,
for plugs 5.5 mm x 2.1 mm, straight version, with break
contact and solder eyes, for front side mounting

16

NEB/J 21 C



*a port in mounting plate

Environmental conditions

Temperature range -20 °C/+70 °C

Materials

Insulating body ABS, HB according to UL94
 Contact CuZn/CuSn, nickel-plated/silver-plated
 Insulation PBT GF (may be PF in a transitional phase)
 Hexagonal nut PA

Mechanical data

Diameter opening 6.3 mm
 Diameter center pin 1.95 mm
 Mating cycles 5000¹
 Insertion force ≤ 30 N¹
 Withdrawal force 3–30 N¹

¹ measured with a gauge plug

Electrical data (at T_{amb} 20 °C)

Contact resistance ≤ 30 mΩ
 Rated current 0.5 A
 Rated voltage 12 V DC
 Rated impulse voltage 500 V/60 s
 Insulation resistance 100 MΩ

Associated products

Counterparts
 ↗ 1633 02 ↗ 1633 03 ↗ NES/J 21
 ↗ NES/J 21 W ↗ NES/J 210 ↗ XNES/J 210

16

NEB/J 21 C

| Designation | Pole Number | PU (Pieces) | MDQ (Pieces) |
|-------------|-------------|-------------|--------------|
| NEB/J 21 C | 2 | 250 | 750 |

Packaging:

in bulk, in a cardboard box or a plastic bag