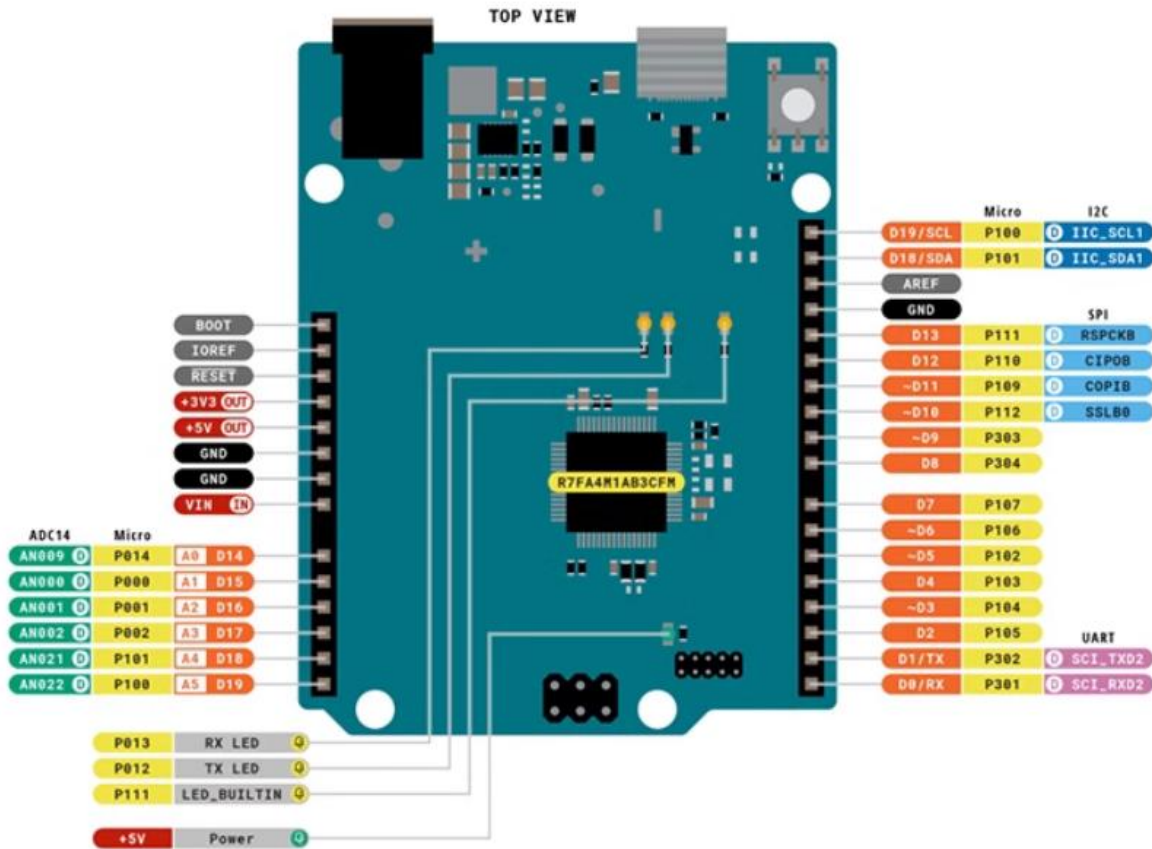


duino UNO R4 Minima



Legend:		Digital	I2C	Other SERIAL
Power	Analog	SPI	Analog	
Ground	Main Part	UART/USART	PWM/Timer	

ARDUINO UNO R4 MINIMA
SKU code: ABX00000
Pinout
Last update: 16 Jun, 2023

Features of UNO R4 Minima



Shape Compatibility with UNO

Maintains the same shape, pin configuration, and 5V operating voltage as its predecessor UNO R3. This ensures seamless transition for existing expansion boards and projects by leveraging the extensive and unique ecosystem already established for Arduino UNO.



Extended Memory and Faster Clocks

Prepared for more precise calculations and easier handling of complex projects. UNO R4 Minima has larger memory and faster clock speed, enabling you to easily handle demanding tasks.



Additional on-board peripherals

Introduces a series of on-board peripherals, including 12-bit DACs, CAN bus, and operational amplifiers. These components provide you with extended capabilities and design flexibility.



Extended 24V Tolerance

Supports a wider input voltage range, allowing up to 24V power supply. This enables seamless integration with motors, LED strips, and other actuators, simplifying your project through a single power source.



SWD Connector

Debugging is a key aspect of any project. Simply connect an external debugger to UNO R4 Minima to easily monitor internal system operations. Maintain control and gain valuable insights.



HID Support

Equipped with built-in HID (Human Interface Device) support, enabling simulation of mouse or keyboard input when connected via USB cable to a computer. This convenient feature makes sending key presses and mouse movements to the computer effortless, enhancing usability and functionality.

Capacitive Touch Support

The RA4M1 microcontroller used on the UNO R4 board natively supports capacitive touch.

