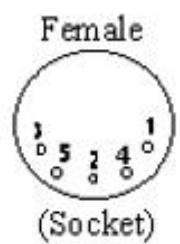
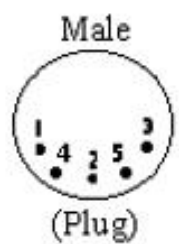
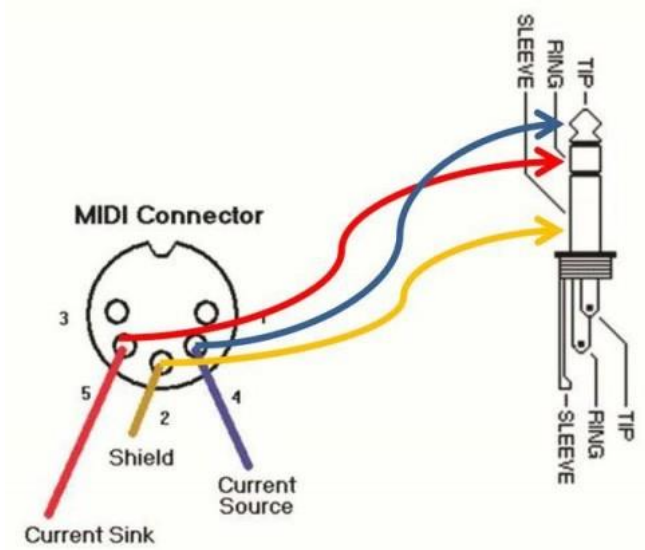


# How to connect with 3.5 stereo jack



- 5-pin DIN (AT/XT):**
- 1 - Clock
  - 2 - Data
  - 3 - Not Implemented
  - 4 - Ground
  - 5 - Vcc (+5V)