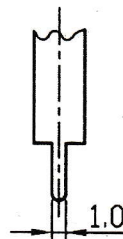
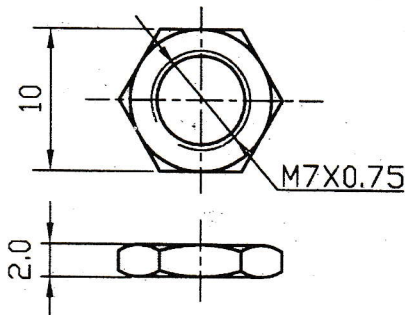


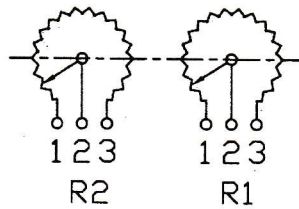
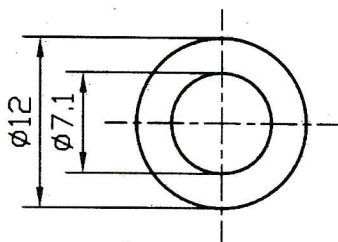
NUT 1 PC

TERMINAL DETAIL

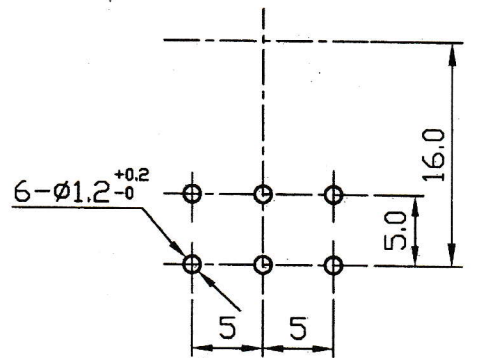


WASHER 1 PC  $t=0.4$

● 300° ROTATION  
DUAL UNIT



CIRCUIT



MOUNTING HOLE DETAIL

NOTE:

SHAFT BUSHING MATERIAL IS ZINC ALLOY DIECASTING.

RV16A01F-41-15R-B15						
NO.	DATE	DESCRIPTION	MODEL NAME			
TOL. UNLESS OTHERWISE STATED		DIMENSION	SCALE	DRAWN BY	CHECKED BY	APPROVED BY
less than	10	$\pm 0.3$	2:1	陳 99.3.3 筱婷		劉 99.3.3 韋良
above	10 ~ 30	$\pm 0.5$				
above	30 ~ 100	$\pm 1.0$				
above		$\pm 2$				
		mm				DRAWING NO.