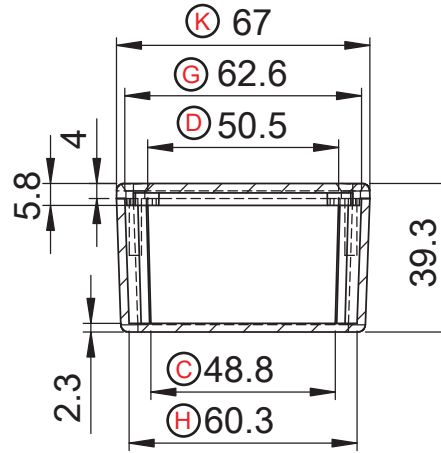
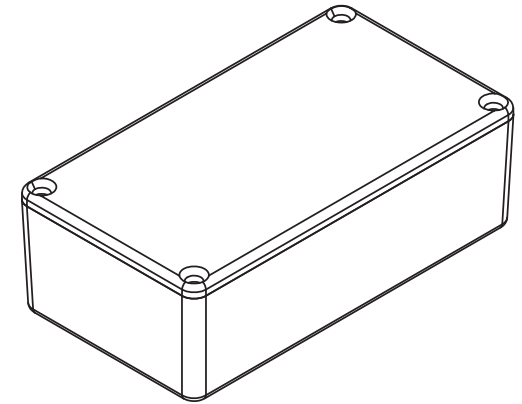


SECTION A-A

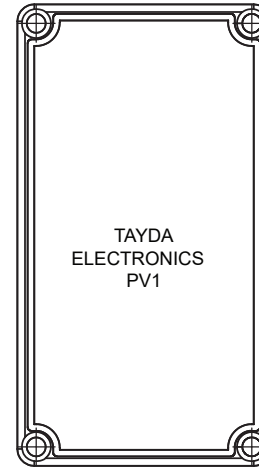
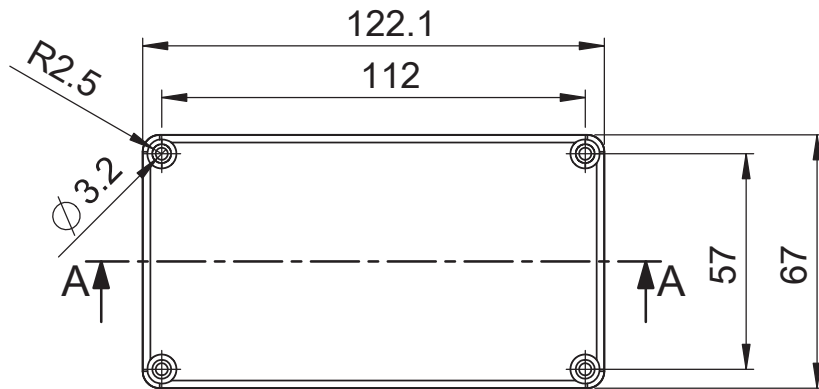


SECTION B-B



PART NO. 5165
 SKU: A-5165
 125B

Cover
 AL mass = 63 g.
 Body
 AL mass = 127g.



Note : Logo under the lid " TAYDA ELECTRONICES PV1 "

General Tolerance		0 = ±0.50		0.0 = ±0.10		0.00 = ±0.02	
Unspecified radius : R0.5		Tolerance on angle ±1°		A4		SCALE:1:2	
PART NO.	PART NAME	OVERALL MEASURE	QTY	MATERIAL	HARDNESS		
DESIGNED BY	CHECKED BY	APPROVED BY	FIRST ANGLE PROJECTION		TAYDA ELECTRONICS		
CUSTOMER		Unit mm.	DWG NO.	REVISION			
		DATE	10/7/2024	SHEET 1 OF 1			
		FILE	box 5165				