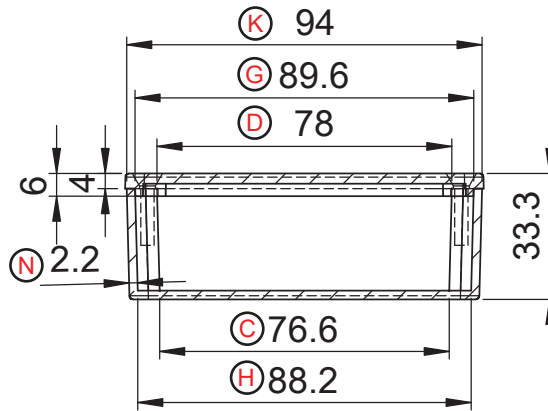
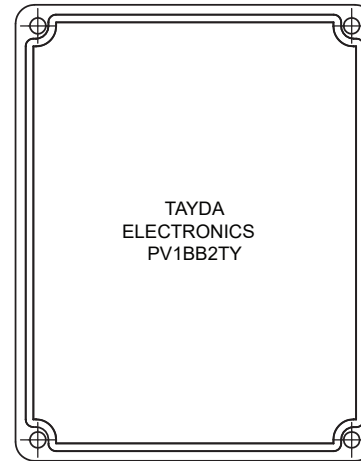
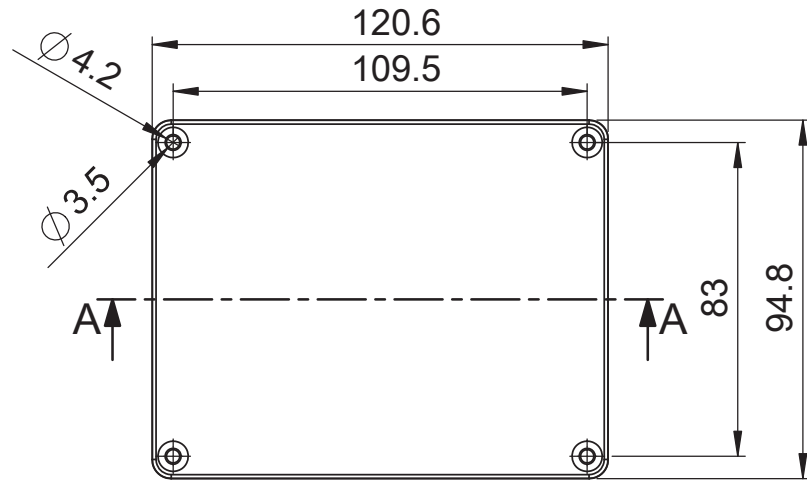
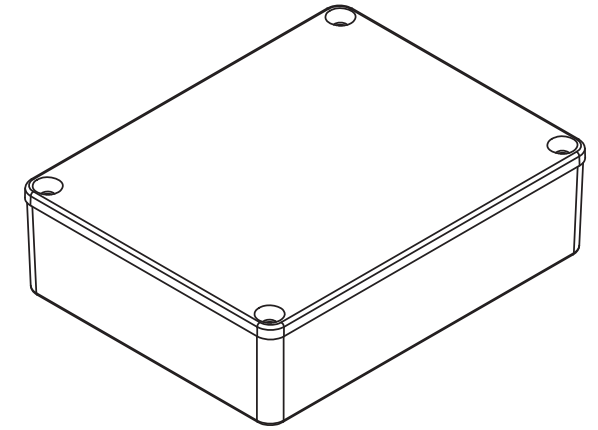


SECTION A-A



SECTION B-B



Note : Logo under the lid " TAYDA ELECTRONICS PV1BB2TY "

PART NO. 5164

SKU: A-5164

1590BB


Cover

AL mass = 93 g.

Body

AL mass = 141g.

General Tolerance
0 = ±0.50
0.0 = ±0.10
0.00 = ±0.02
Unspecified radius : R0.5
Tolerance on angle ±1°

PART NO.	PART NAME	OVERALL MEASURE	QTY	MATERIAL	HARDNESS
DESIGNED BY	CHECKED BY	APPROVED BY	 TAYDA ELECTRONICS		
CUSTOMER					
A4			SCALE:1:2	DATE 10/7/2024	SHEET 1 OF 1
				FILE box 5164	