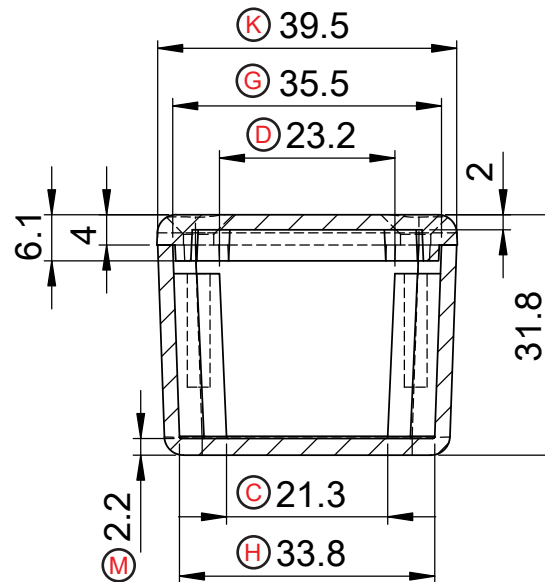
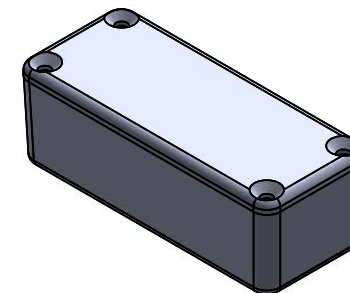


SECTION A-A



SECTION B-B



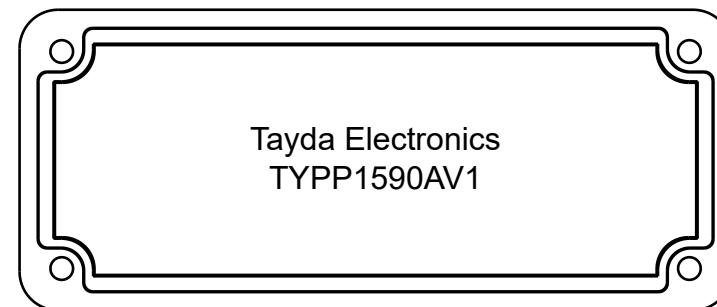
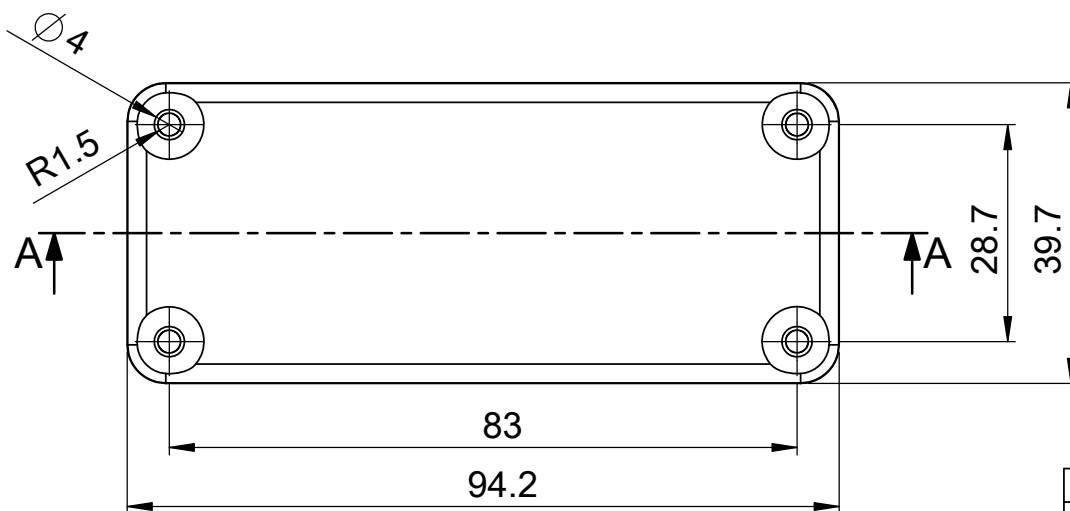
PART NO. 5163

Cover

AL mass = 27 g.

Body

AL mass = 61 g.



Note : Logo under the lid "Tayda Electronics TYP1590AV1"

PART NO.	PART NAME	OVERALL MEASURE	QTY	MATERIAL	HARDNESS	
DESIGNED BY			TAYDA ELECTRONICS			
CHECKED BY						
APPROVED BY						
General Tolerance		Unit mm.	DWG NO.	REVISION		
0 = ±0.50		A4	DATE	26/6/2024		
0.0 = ±0.10			SCALE:1:1	SHEET 1 OF 1		
0.00 = ±0.02			CUSTOMER	FILE	box No.5163	
Unspecified radius : R0.5						
Tolerance on angle ±1°						