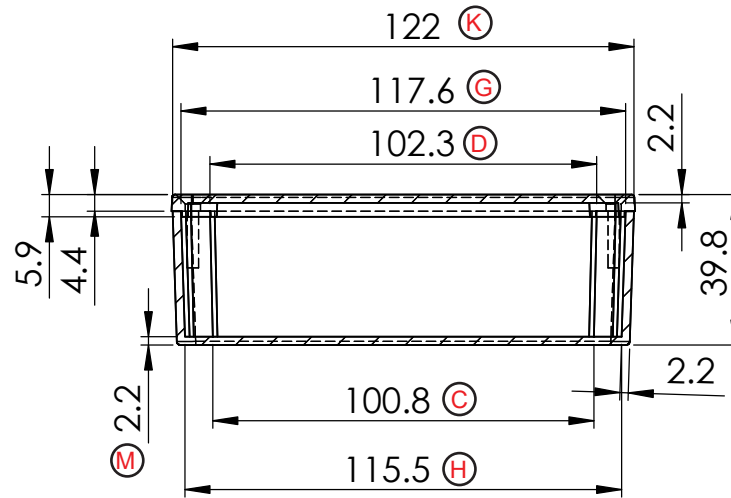
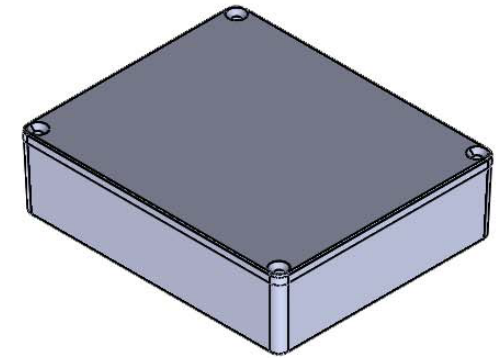


SECTION A-A

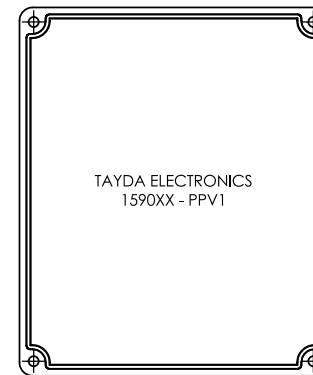
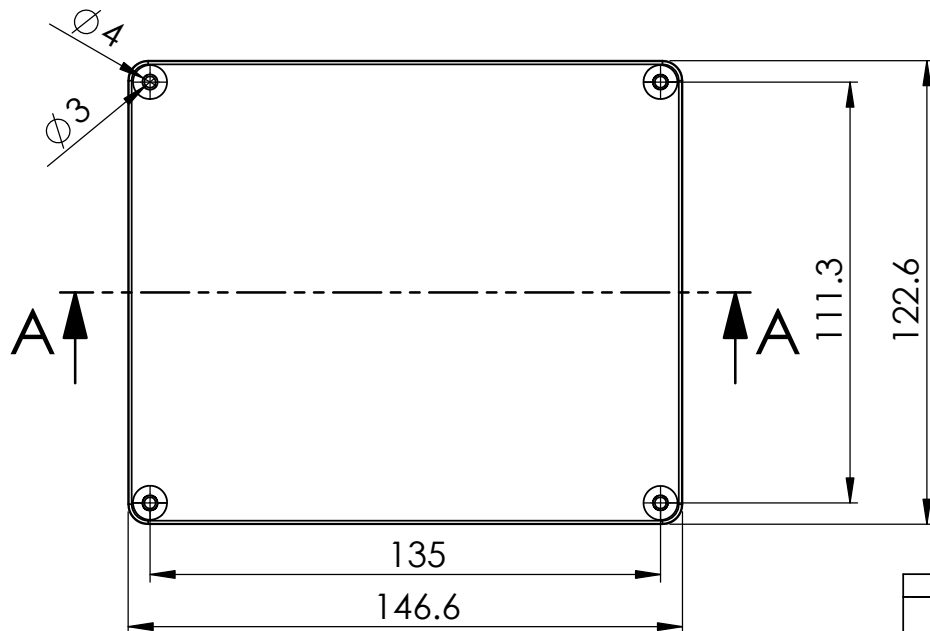


SECTION B-B



PART NO. : 5161

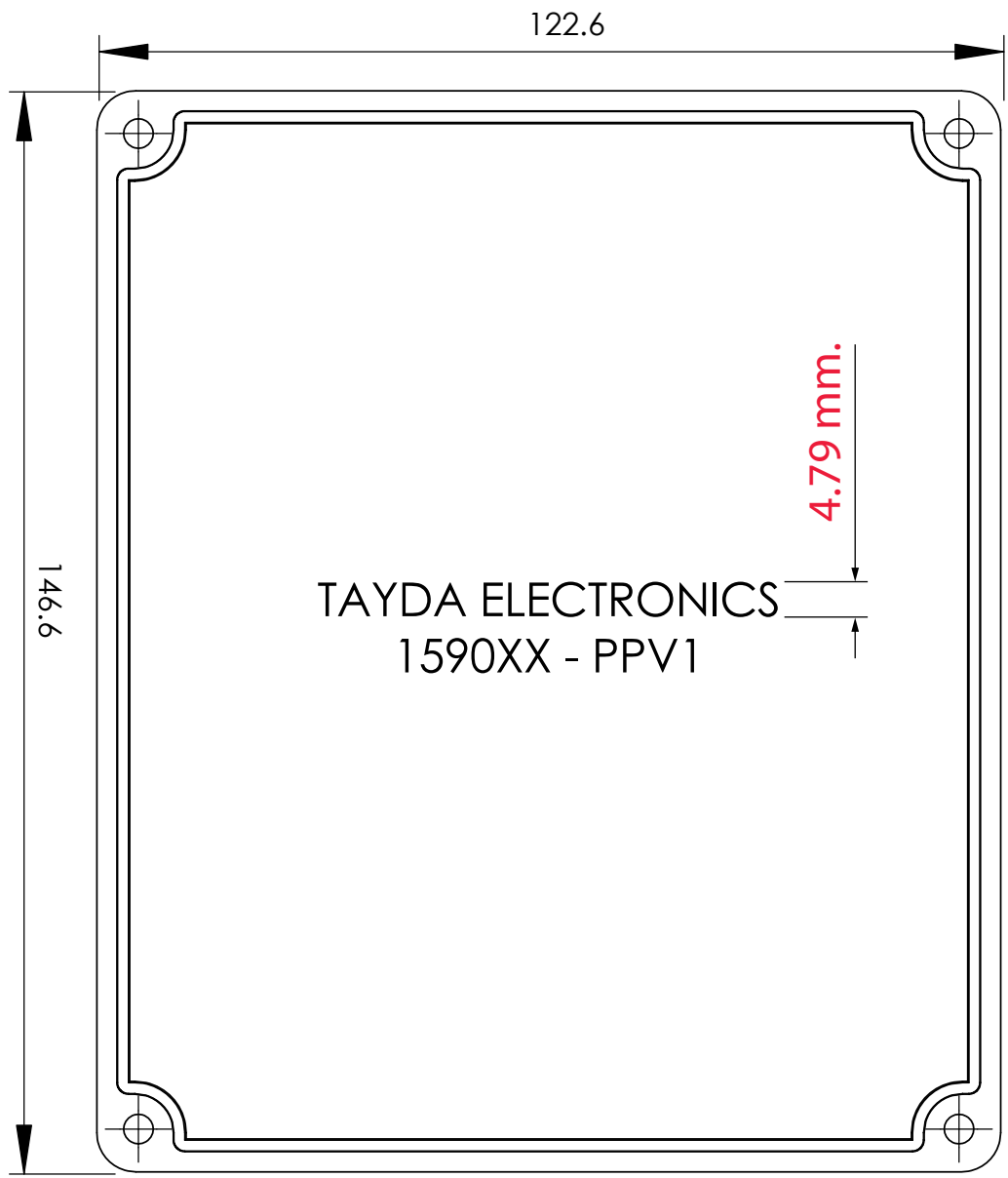
Lid
AL mass = 124 g.
Body
AL mass = 221 g.



Note : Logo under the lid " TAYDA ELECTRONICS 1590XX - PPV1 "


General Tolerance
0 = ±0.50
0.0 = ±0.10
0.00 = ±0.02
Unspecified radius : R0.5
Tolerance on angle ±1°

PART NO.	PART NAME	OVERALL MEASURE	QTY	MATERIAL	HARDNESS
DESIGNED BY	CHECKED BY	APPROVED BY	 TAYDA ELECTRONICS		
CUSTOMER	A4				
Unit mm.	DWG NO.	DATE	6/6/2024	REVISION	
SCALE:1:2	FILE	box 5161		SHEET 1 OF 2	



TAYDA ELECTRONICS
1590XX - PPV1

4.79 mm.

PART NO.		PART NAME		OVERALL MEASURE	QTY	MATERIAL	HARDNESS
DESIGNED BY				 FIRST ANGLE PROJECTION	TAYDA ELECTRONICS		
CHECKED BY							
APPROVED BY				Unit mm.	DWG NO.		REVISION
CUSTOMER				A4	SCALE: 1:1	DATE 6/6/2024	SHEET 2 OF 2
					FILE	box 5161	
General Tolerance							
0 = ±0.50							
0.0 = ±0.10							
0.00 = ±0.02							
Unspecified radius : R0.5							
Tolerance on angle ±1°							