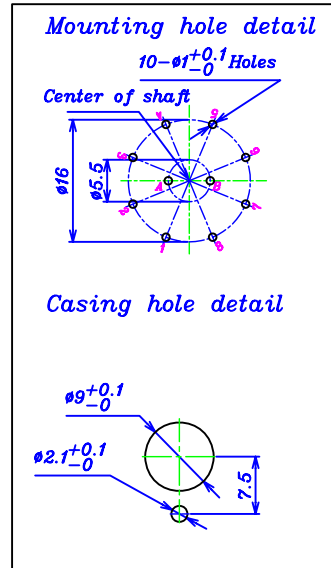
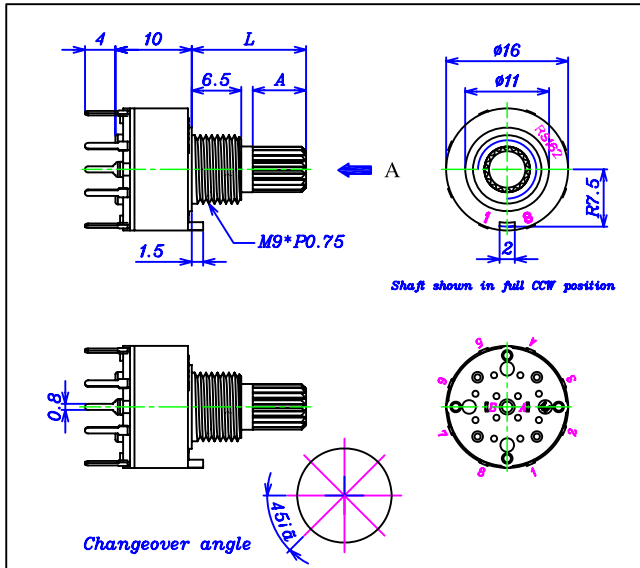
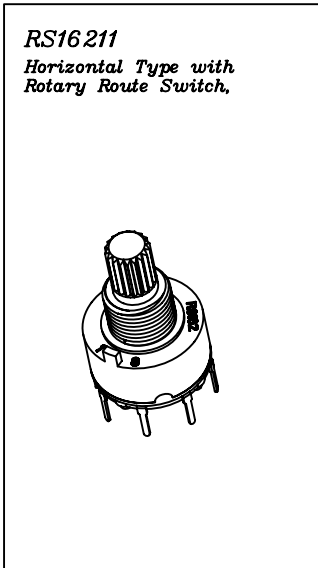


Model

Dimensions (Unit:mm)

Circuit/Features



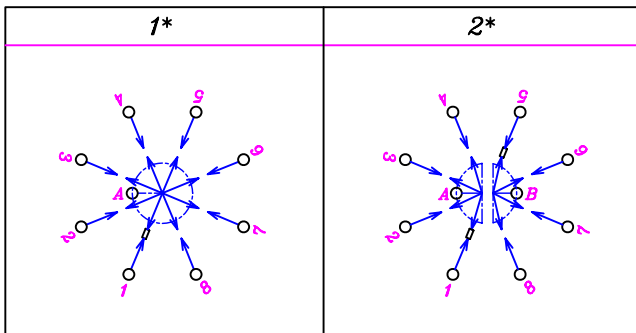
Shaft size (optional) *

Unit:mm

<p>● FB-Shaft</p> <p>Shaft shown in full CCW position</p>	<p>● TB-Shaft</p> <p>Shaft shown in full CCW position</p>
---	---

Circuit diagram(A) *

Dummy Terminals *



Model	DUMMY TERMINALS	Model	DUMMY TERMINALS
RS16211-12	③④⑤⑥⑦⑧	RS16211-22	③④
RS16211-13	④⑤⑥⑦⑧	RS16211-23	⑦⑧
RS16211-14	⑤⑥⑦⑧	RS16211-24	④
RS16211-15	⑥⑦⑧		⑧
RS16211-16	⑦⑧		—
RS16211-17	⑧		—
RS16211-18	—		—

Typical specifications

Photo	Items	Specifications
	Rating (max.) (Resistive load)	0.3A 16V DC/50uA 3V DC
	Contact resistance (Initial performance/After lifetime)	50mΩ max./150mΩ max
	Rotational torque	30±15mN.cm
	Operating life	Without load
With load		10,000 cycles(0.3A 16V DC)

4					Unit	Scale			
3					mm	2.5:1			
2				Designed	Checked	Approved	Dwg.Title	RS16211外形图	
1							Dwg.Name	RS1621-**-*****-**	
Zust	Design	Date	Name				No Allow±Number		
	Material	Card Number	Disposal	Date	Graphics	10Below±0.2	10~100±0.5	100Above±1.0	Angle±5°