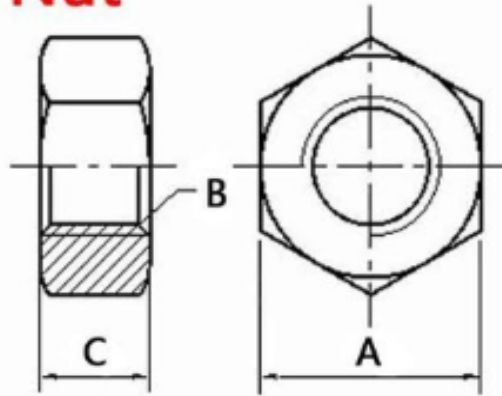


Nut



Metric Thread

Nut size	B Thread diameter	C Thick	A Wide
M5	M5 (5mm)	3.8mm	$8 \pm 0.4\text{mm}$