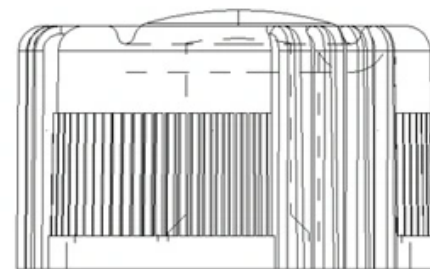
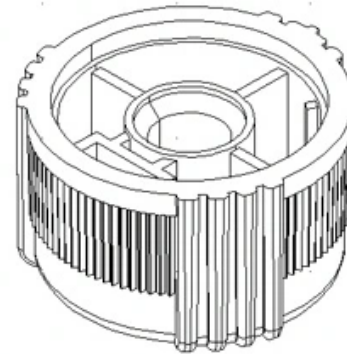
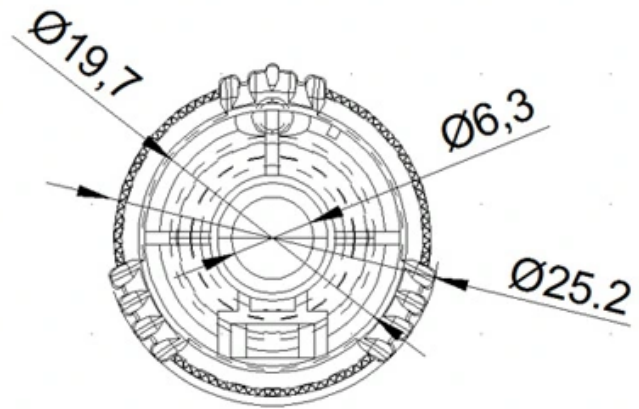


External dimensions



Top



Side



Bottom

