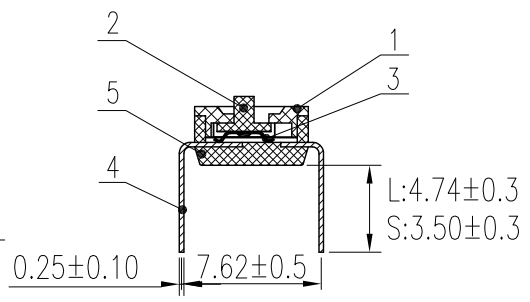
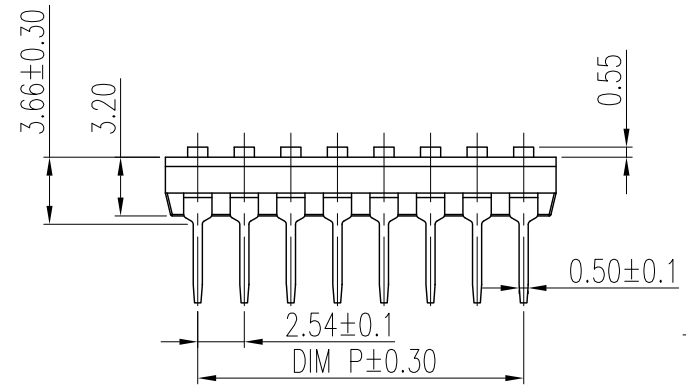
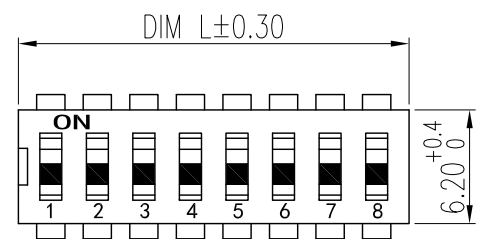
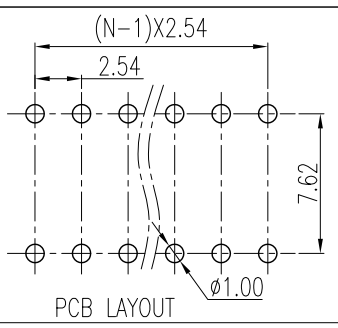
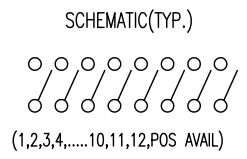


REV	ECN	CONTENT	CHECK	DATE
V0.0		ORIGINAL	YZG	2017.03.12
V1.0		arrange the drawing	WL	2019.09.25



- SPECIFICATION:**
- Rating:
 - Switching: 25mA, 24VDC
 - Non-Switching: 100mA, 50VDC
 - Contact Resistance:
 - Initial: 50mΩ max
 - After Life Test: 100mΩ max
 - Insulation Resistance: 100MΩ min/500 VDC
 - Withstand Voltage: 500VAC for 1 minute
 - Operation Force: 1000g max
 - Stroke: 0.9mm
 - Mechanical Life: min 2000 cycles
 - Electrical Life: min 2000 cycles/25mA, 24VDC
 - Operation Temperature: -40°C ~ +85°C
 - Storage Temperature: -40°C ~ +85°C
 - RoHS Compliance

SOLDERING INFORMATION:
 Wave Soldering: 250±10°C, 5S max
 Manual Soldering: 30W iron, 320±5°C, 3S max
 Keep in "off" position during soldering



Poles	Dim P	Dim L	ITEM	NAME OF PART	NO. OF PART	Q'TY	MATERIAL	NOTE			
5P	10.16	13.70	5	Base	\	1	Thermoplastic	UL94V-0			
4P	7.62	11.16	4	Pin	\	2P	Copper Alloy	Gold Plated			
3P	5.08	8.62	3	Spring	\	P	Copper Alloy	Gold Plated			
2P	2.54	6.08	2	Actuator	\	P	Thermoplastic	UL94V-0			
1P	--	3.54	1	Cover	\	1	Thermoplastic	UL94V-0			
				APP.	LJ	DATE	2019.9.25	NAME DI-R Series Dip Switch			
				CHK.	LJ	DATE	2019.9.25				
				DWG.	WL	DATE	2019.9.25				
				DWGNO.	W20004312						
				UNITS	MM	SCALE	1:1		SHEET	1/1	PROJECTION-METHOD

General tolerance in mm						radii and chamfers			shorter angle side			≡		— //	
over 0 to 3	over 3 to 6	over 6 to 30	over 30 to 120	over 120 to 400	over 400 to 1000	over 0.5 to 3	over 3 to 6	over 6	up to 10	over 10 to 50	over 50 to 120	all	over 0 to 100	over 100 to 150	over 150
±0.15	±0.2	±0.25	±0.3	±0.5	±0.8	±0.2	±0.5	±1.0	±1°	±30'	±20'	0.5	0.2	0.3	0.5