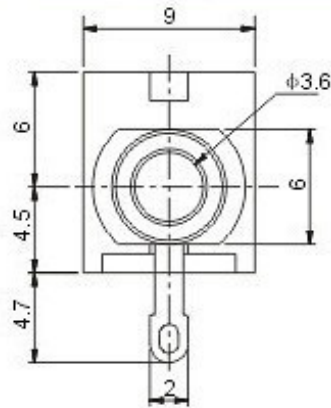
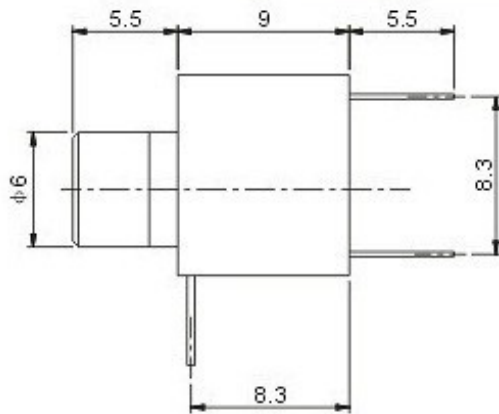
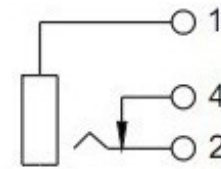


### Technological Parameter

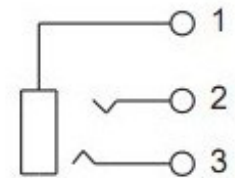
Temperature	-30~70℃
Rated Load	DC 30V 0.5A
Contact resistance	≤0.03 Ω
Insulation resistance	≥100M Ω
Withstand voltage	AC 500V (50Hz) 1min
Insertion and Extraction Force	3-20N
Life	5000Time



**MONO:**



**STEREO:**



Dimension in mm