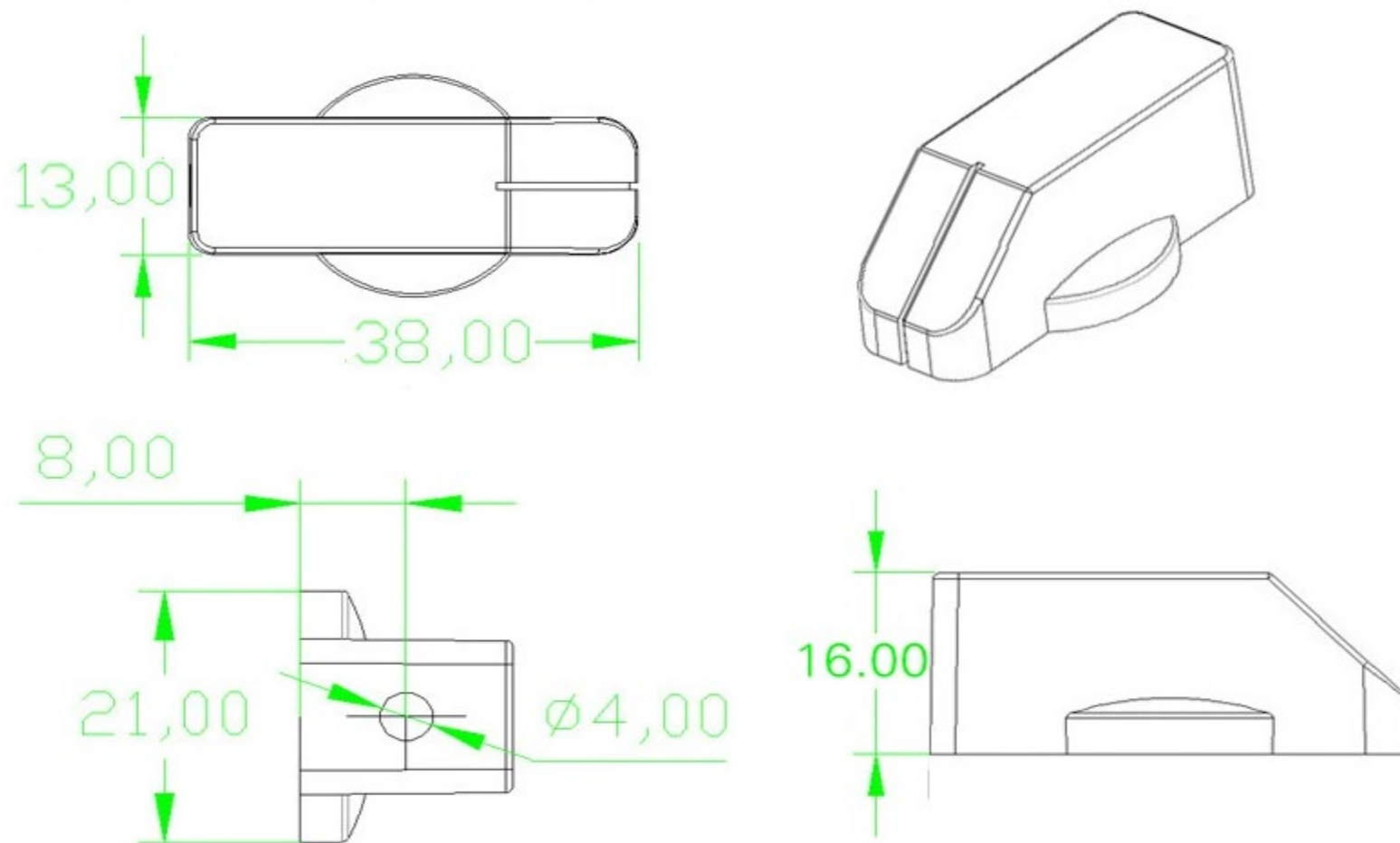


## External dimensions



内孔 (shaft hole) = 6.4mm

**Top**



**Side**



**Bottom**

