



Pin Configuration

1. Emitter
2. Base
3. Collector

Features:

- NPN High Voltage Silicon Transistor
- High Voltage Silicon Planar Transistors used in High Voltage and High Power Amplifier Applications

Absolute Maximum Ratings:

($T_a = 25^\circ\text{C}$ unless otherwise specified)

Characteristic	Symbol	Value	Unit
Collector Base Voltage	V_{CBO}	300	V
Collector-Emitter Voltage	V_{CES}	250	
Emitter-Base Voltage	V_{EBO}	7	
Collector Current Continuous	I_C	1	A
Base Current	I_B	0.5	
Power Dissipation at $T_a = 25^\circ\text{C}$ Derate above 25°C	P_D	1	W
Power Dissipation at $T_c = 25^\circ\text{C}$ Derate above 25°C		5	
Operating Temperature	T_J	200	$^\circ\text{C}$
Storage Temperature Range	T_{stg}	-65 to +200	

Thermal Resistance

Junction to Ambient	$R_{th(j-a)}$	175	$^\circ\text{C/W}$
Junction to Case	$R_{th(j-c)}$	35	

Electrical Characteristics: (T_a = +25°C unless otherwise specified)

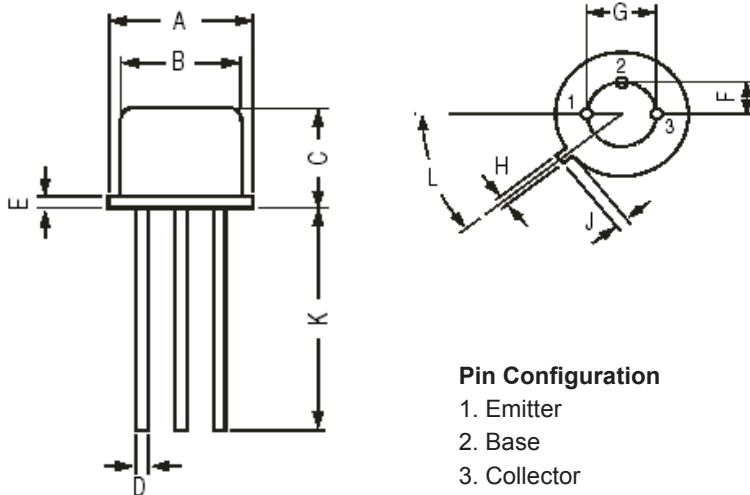
Parameter	Symbol	Test Condition		Unit
Collector-Emitter Voltage	V _{CEO(sus)} *	I _C = 50mA, I _B = 0	250	V
Collector-Cut off Current	I _{CBO}	V _{CB} = 250V, I _E = 0	<20	μA
	I _{CEO}	V _{CE} = 200V, I _B = 0	<50	
	I _{CEX}	V _{CE} = 300V, V _{BE} = 1.5V	<500	
Emitter-Cut off Current	I _{EBO}	V _{EB} = 6V, I _C = 0	<20	
DC Current Gain	h _{FE} *	I _C = 20mA, V _{CE} = 10V	40 - 160	-
Collector Emitter Saturation Voltage	V _{CE(sat)} *	I _C = 0.05A, I _B = 4mA	<0.5	V
Base Emitter Saturation Voltage	V _{BE(sat)} *	I _C = 50mA, I _B = 4mA	<1.3	

Small Signal Characteristics

Small Signal Current Gain	h _{fe}	I _C = 5mA, V _{CE} = 10V, f = 1kHz	>25	-
Output Capacitance	C _{ob}	V _{CB} = 10V, I _E = 0, f = 1MHz	<10	pF
Input Capacitance	C _{ib}	V _{EB} = 5V, I _C = 0, f = 1MHz	<75	
Current Gain-Bandwidth Product	f _t	I _C = 10mA, V _{CE} = 10V, f = 5MHz	>15	MHz
Real Part of Input impedance	R _{e(hie)}	V _{CE} = 10V, I _C = 5mA, f = 1MHz	<300	Ω

*Pulse Test: Pulse Width = 300μs, Duty Cycle = 2%

TO-39 Metal Can Package



Pin Configuration

1. Emitter
2. Base
3. Collector

Dim.	Min.	Max.
A	8.5	9.39
B	7.74	8.5
C	6.09	6.6
D	0.4	0.53
E	-	0.88
F	2.41	2.66
G	4.82	5.33
H	0.71	0.86
J	0.73	1.02
K	12.7	-
L	42°	48°

Dimensions : Millimetres

Part Number Table

Description	Part Number
Transistor, NPN, TO-39	2N3440

Important Notice : This data sheet and its contents (the "Information") belong to the members of the AVNET group of companies (the "Group") or are licensed to it. No licence is granted for the use of it other than for information purposes in connection with the products to which it relates. No licence of any intellectual property rights is granted. The Information is subject to change without notice and replaces all data sheets previously supplied. The Information supplied is believed to be accurate but the Group assumes no responsibility for its accuracy or completeness, any error in or omission from it or for any use made of it. Users of this data sheet should check for themselves the Information and the suitability of the products for their purpose and not make any assumptions based on information included or omitted. Liability for loss or damage resulting from any reliance on the Information or use of it (including liability resulting from negligence or where the Group was aware of the possibility of such loss or damage arising) is excluded. This will not operate to limit or restrict the Group's liability for death or personal injury resulting from its negligence. Multicomp Pro is the registered trademark of Premier Farnell Limited 2019.