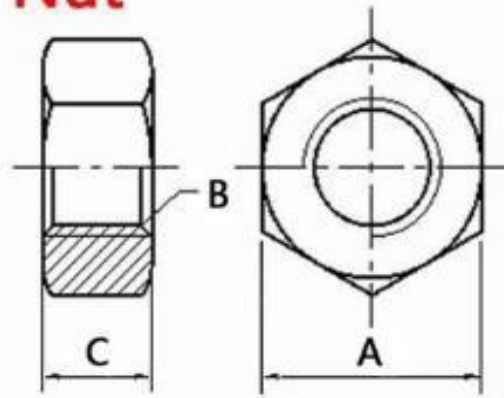


Nut



Metric Thread

Nut size	B Thread diameter	C Thick	A Wide
M2	M2 (2mm)	1.6mm	3.9mm