

KUOYUH®

88 Series P1B14 type Datasheet

THERMAL OVERCURRENT CIRCUIT BREAKERS(PUSH-TO-RESET)

Issue: KUOYUH W.L. Enterprise Co.,Ltd.

Date: 2008/09/03

Author: Hunter Huang

Edition: F/0

KUOYUH W.L. Enterprise Co.,Ltd.

647 NO.11-6 HsiMei, Tamei Tusuen, Tsutang Hsiang, YunLin Hsien, Taiwan R.O.C.

TEL: 886 5 5850138 5850148

Fax: 8865 5850149

KUOYUH

88 Series Thermal Circuit Breaker

Rating: 3A~25A

Input Power: 125/250Vac 32Vdc

Interruption Capacity: 1000AmpX125Vac 200AmpX250Vac

Dilectric Strength: 1500Vac X 1Minute

Resettable Overload Capacity: 6 Time Rated Current

Voltage Drop: Less Than 0.25V

Insuiation Resistance: >500 M ohm

Reset Time: Within 60sec

Temperature Rise at Terminal Block: Less than 65° c at 100% of rated current applied continuously

Contact Endurance: 125Vac X150% of rated current >500 cycles

cUL 3A-20A 125/250Vac TC2/OL0/C1

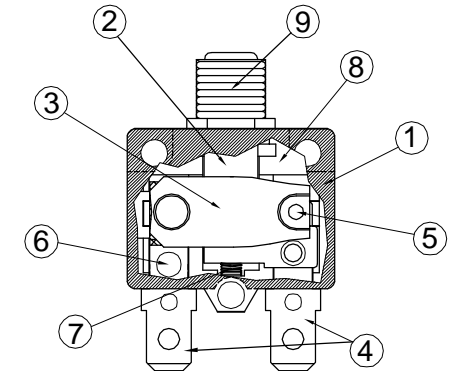
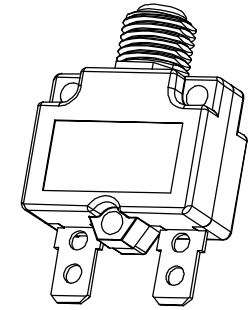
cUL 3A-15A 125/250Vac TC2/OL1/C1 (UL1363)

VDE 3A-16A 125/250Vac 32Vdc

TUV 3A-20A 125/250Vac 32Vdc

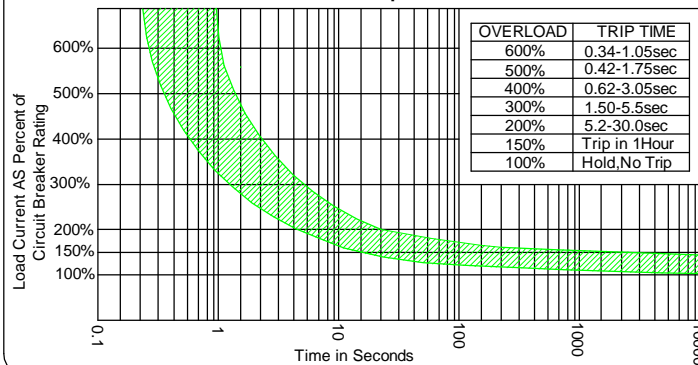
CCC 5A-20A 125/250Vac

Complies with Rohs



No	Name	Material
1	Case	Phenolic
2	Push Rod	Phenolic
3	Bimetal	EMS,HooD,Sumitomo
4	Terminal	Copper alloys
5	Contact	Ag-CdO
6	Rivet	Aluminum alloy
7	Spring	Stainless
8	Base	Phenolic
9	Mounting Means	Plated metal Type PA-766

88 Series 3A-20A Trip Time Curves



The time/current characteristic curve depends on the ambient temperature prevailing, in order to eliminate nuisance tripping. Please multiply the current breaker current ratings by the derating factor shown below.

Ambient Temperature	-10°C	0°C	10°C	25°C	40°C	50°C	60°C
Multiplication Factor	1.5	1.4	1.2	1.00	0.85	0.7	0.6

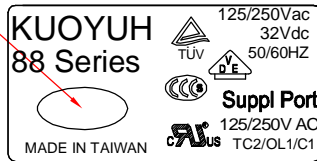
NO	DESCRIPTION	APPROVED	DATE	TOLERANCE		APPROVED	CHECK	DESING	DRAWER	UNIT	mm	
				DIMENSION	TOLERANCE							
4				XX.XX	±0.05	Hunter.H	Song .L	John.L	Joker.H	SCALE	1:1	
3				XX.X	±0.1	FILE NO	88 Series Thermal Circuit Breaker			MATERIAL		
2				XX	±0.15	REV	D1	DATE	2007.04.12	TITLE	Datasheet	
1				ANGLE	TOLERANCE	KUOYUH W.L. Enterprise Co.,Ltd.			DRAWING NO	2008.08.21		
				X	±1°							
				X.X	±0.5°							

88-~~XX~~-P1B14-P00

Rating:

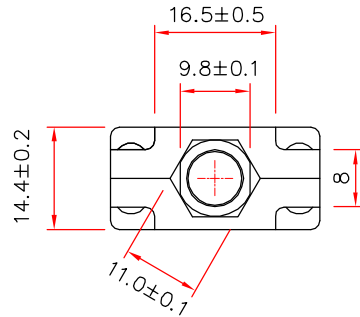
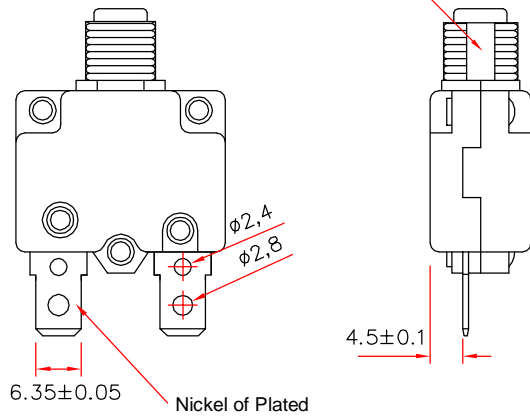
- VDE 3A~16A 125/250Vac 32Vdc
- UL cUL 3A~15A 125/250Vac TC2/OL1/C1
- UL cUL 16A~20A 125/250Vac TC2/OL0/C1
- TUV 3A~20A 125/250Vac 32Vdc
- CCC 5A~20A 125/250Vac
- CSA 10A/15A 125Vac

Rating:

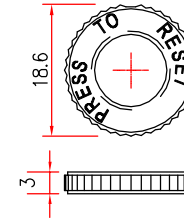


Label Marking 2:1

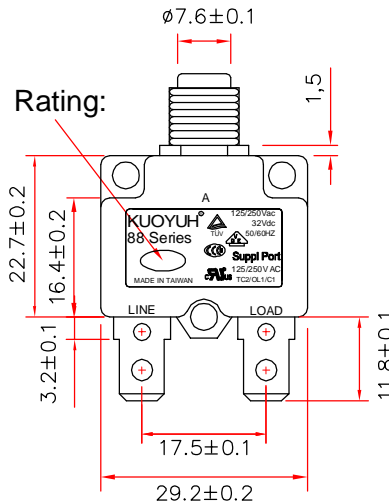
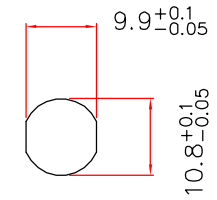
M11XP1.0 Plastic Bushing



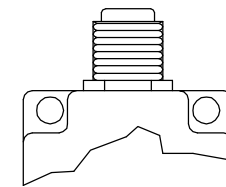
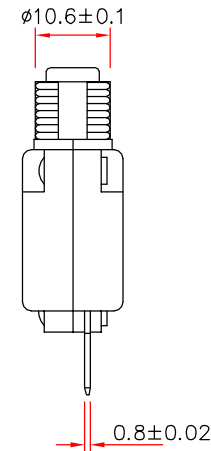
Plastic Integrated Kunrlnut



Panel Cutout



Rating:



NO	DESCRIPTION	APPROVED	DATE	TOLERANCE		APPROVED	CHECK	DESING	DRAWER	UNIT	mm	
				DIMENSION	TOLERANCE							
4				XX.XX	±0.05					SCALE	1:1	
3			XX.X	±0.1								
2			XX	±0.15								
1				ANGLE	TOLERANCE	FILE NO	88 Series Thermal Circuit Breaker			TITLE	88- XX -P1B14-P00	
				X	±1°	KUOYUH W.L. Enterprise Co.,Ltd.			DRAWING NO	971001.04		
				X.X	±0.5°							