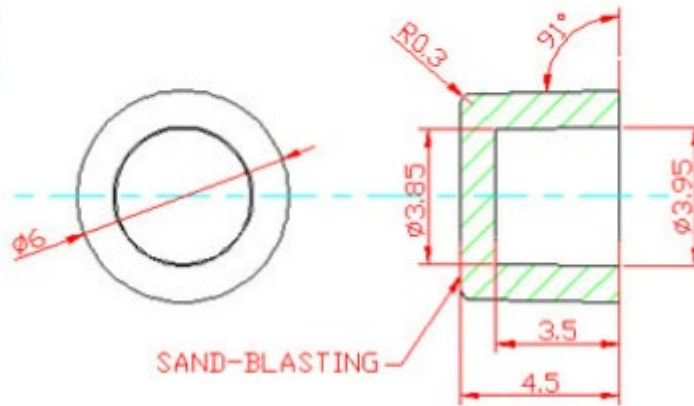


PART NO. : 7013
(6X4.5 Φ 3.95)



Dimension in mm