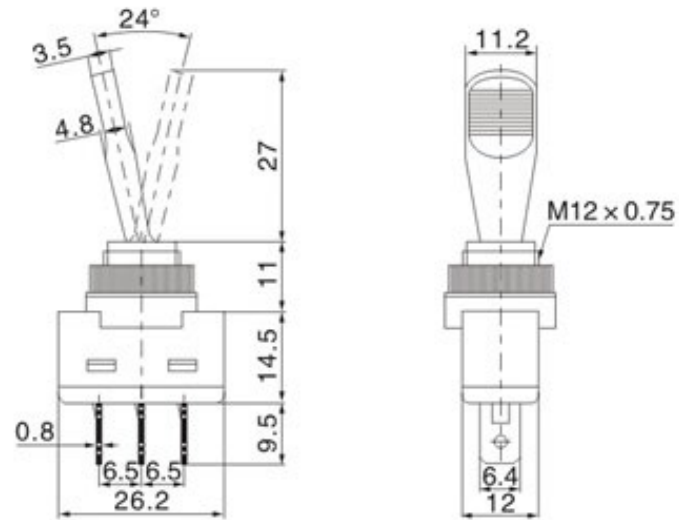
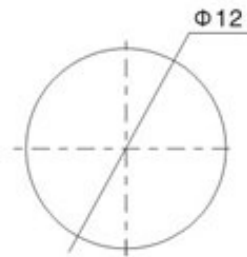




ASW-13-101 ON-OFF 2P
ASW-13-111 (ON)-OFF 2P
ASW-13-102 ON-ON 3P
ASW-13-103 ON-OFF-ON 3P
20A 12VDC;10A 125VAC



Dimension in mm