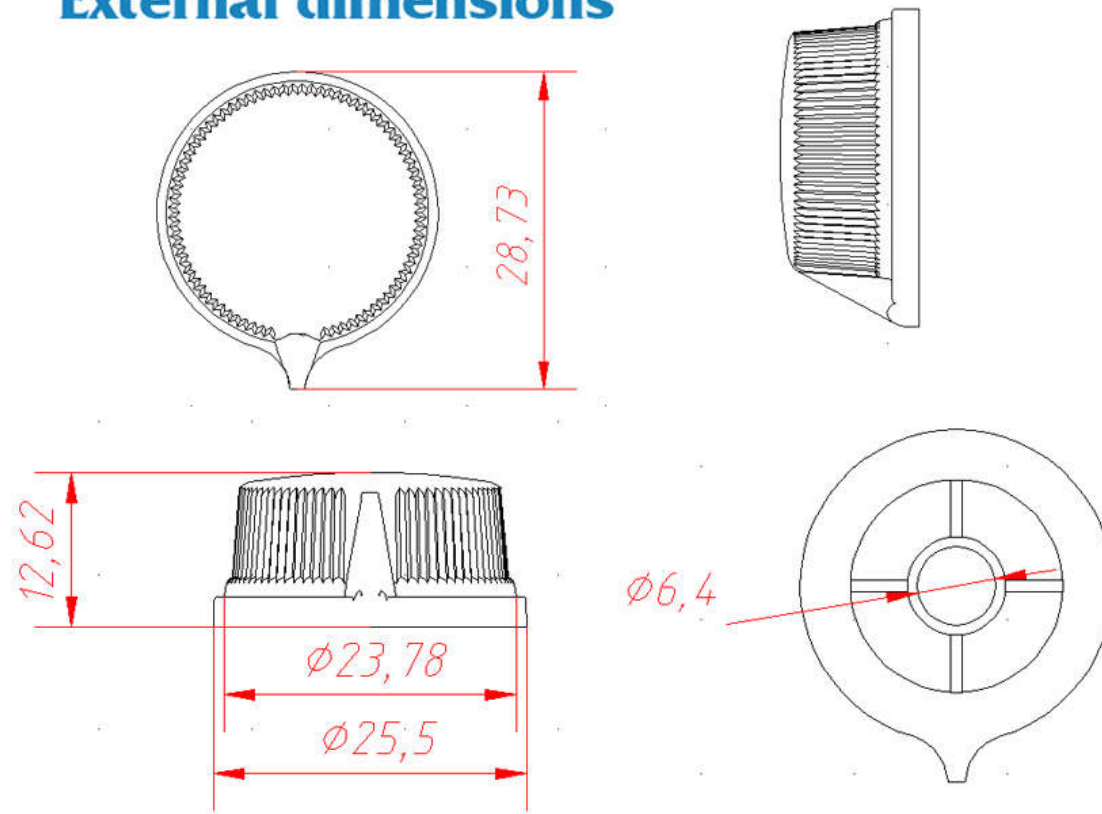


External dimensions



Dimension in mm