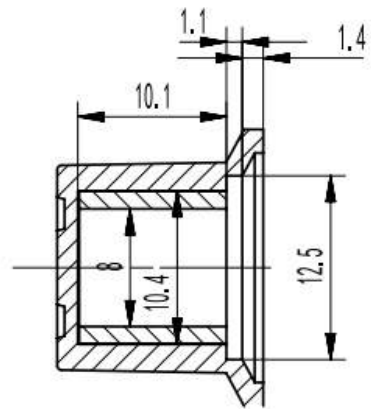
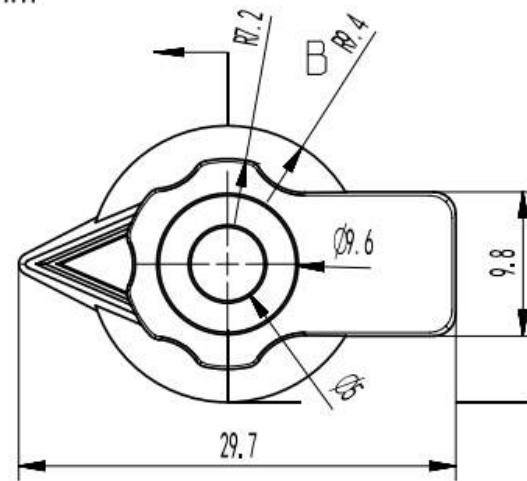
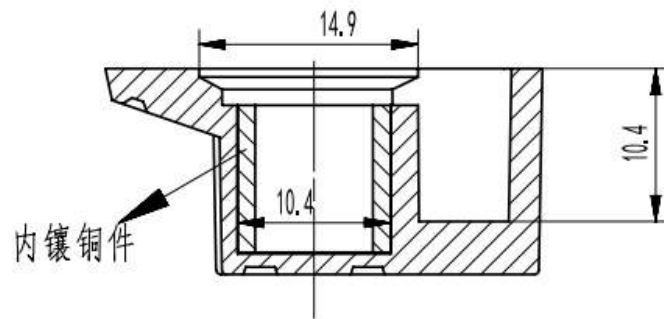
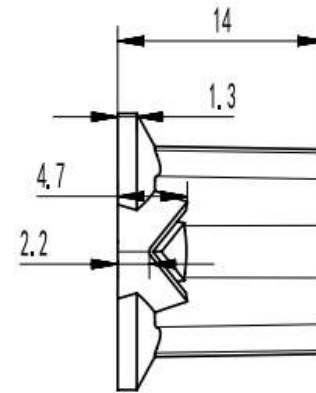


External dimensions



shaft hole : 6.4mm



Dimension in mm