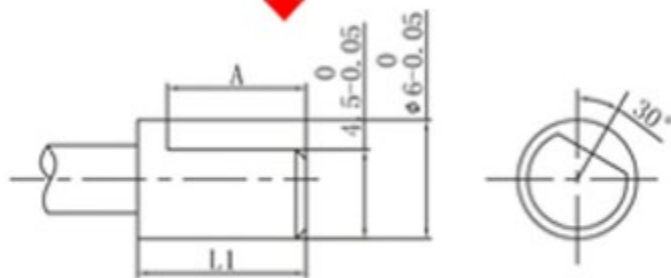
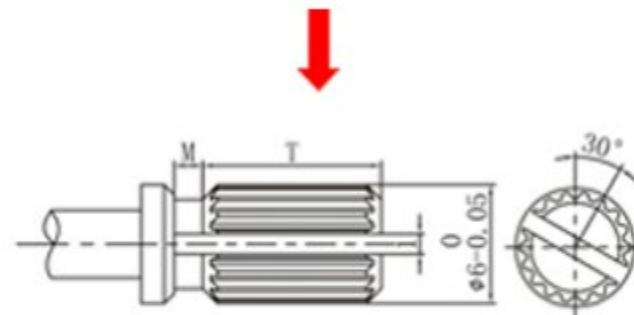


Dimension in mm

Shaft: D
Shaft



Shaft: 6 * 18Teeth



Shaft: 6mm



Shaft: 6.4mm

