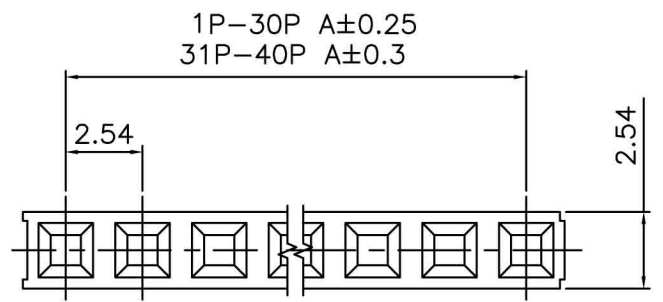


RoHS COMPLIANT

REV	ECN NO.	DESCRIPTION	DATE
A		RELEASE	JAN. 10'02
B		ADD. RoHS	FEB. 04'08
C		REDRAW	DEC. 18'09
D		MODIFY P/N:4000**	JAN. 21'11

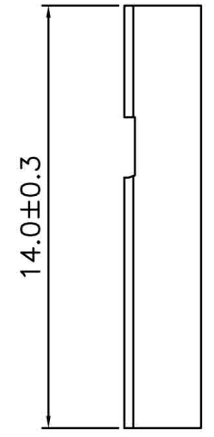
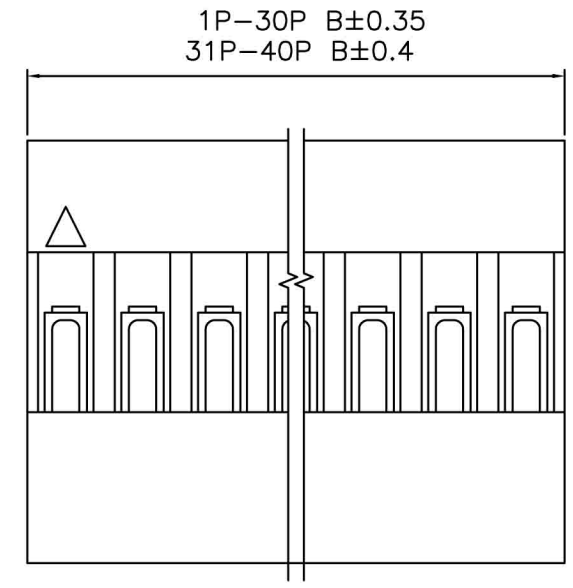


**SPECIFICATIONS**

- Voltage Rating : 250 V AC/DC
- Current Rating : 3A AC/DC
- Withstanding Voltage : 1000V AC/minute
- Insulation Resistance : 1000MΩ min
- Temperature Range : - 20°C to + 85°C
- Contact Resistance : 20mΩ max

**HOUSING**

- Poles : 1-40 (Single Row)
- Material : PBT UL94V-0
- Q' ty : 1000 pcs./Bag



Poles	Dimensions(mm)		Poles	Dimensions(mm)	
	A	B		A	B
1	—	2.65	21	50.80	53.54
2	2.54	5.28	22	53.34	56.08
3	5.08	7.82	23	55.88	58.62
4	7.62	10.36	24	58.42	61.16
5	10.16	12.90	25	60.96	63.70
6	12.70	15.44	26	63.50	66.24
7	15.24	17.98	27	66.04	68.78
8	17.78	20.52	28	68.58	71.32
9	20.32	23.06	29	71.12	73.86
10	22.86	25.60	30	73.66	76.40
11	25.40	28.14	31	76.20	78.94
12	27.94	30.68	32	78.74	81.48
13	30.48	33.22	33	81.28	84.02
14	33.02	35.76	34	83.82	86.56
15	35.56	38.30	35	86.36	89.10
16	38.10	40.84	36	88.90	91.64
17	40.64	43.38	37	91.44	94.18
18	43.18	45.92	38	93.98	96.72
19	45.72	48.46	39	96.52	99.26
20	48.26	51.00	40	99.06	101.80

TOLERANCE UNLESS OTHERWISE SPECIFIED		PROJECTION	<b>GOLD-TEK</b> ELECTRIC CO., LTD.	
LINEAR	ANGLE	 UNITS MM SCALE SIZE A4	TITLE	PART NO.
X. ±	X° ±		2.54mm Housing	1108**
.X ± 0.38	.X° ±		CAD NO. I056	SHEET
.XX ± 0.25	.XX° ±		F:\PDF\HW\HW-0101	1 OF 1
.XXX ±	.XXX° ±	CPART NO.	圖面編號:GTKSD0012-D(1)	
APPD				
CHKD				
DRAW	Z	JAN. 21'2011		