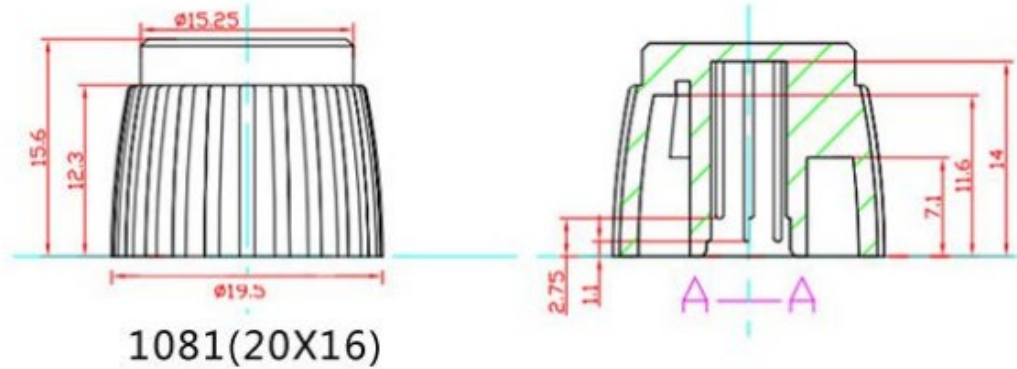
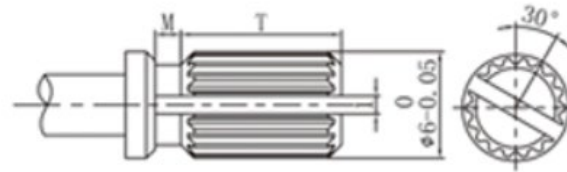


**Shaft: 6 \* 18Teeth**



Dimension in mm