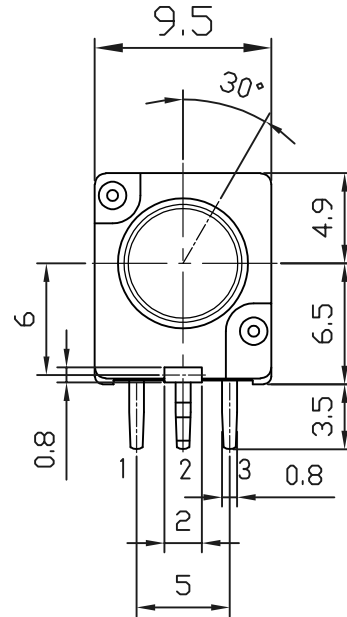
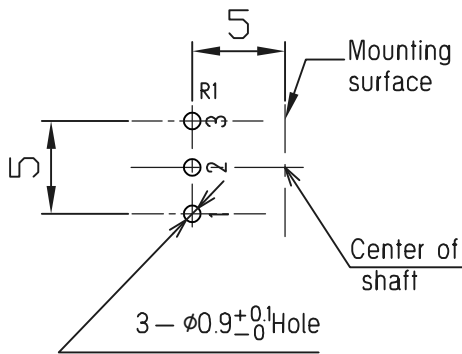


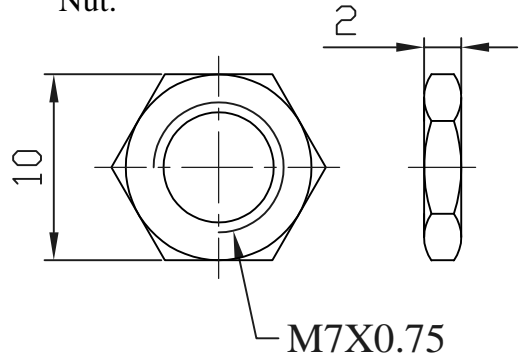
Shaft shown in full CCW position



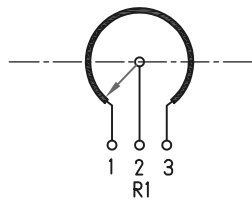
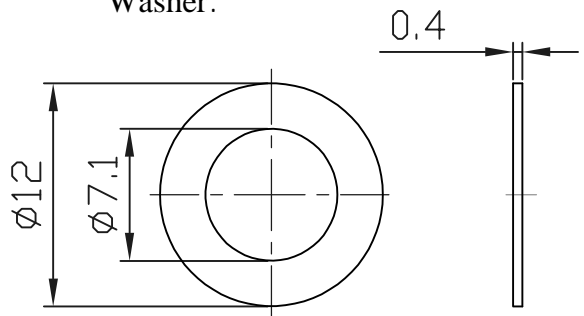
PC board mounting hole dimensions
(Viewed from mounting side)



Nut:



Washer:



▽4					Unit	Scale				
▽3					mm	2.5:1				
▽2				Designed	Checked	Approved	Dwg.Title	RV9110 NO-OS15 A00 外形图		
▽1							Dwg.Name			
Zust	Design	Date	Name				No Allow±Number			
	Material	Card Number	Disposal	Date	Graphics	10Below±0.2	10~100±0.5	100Above±1.0	Angle±5°	