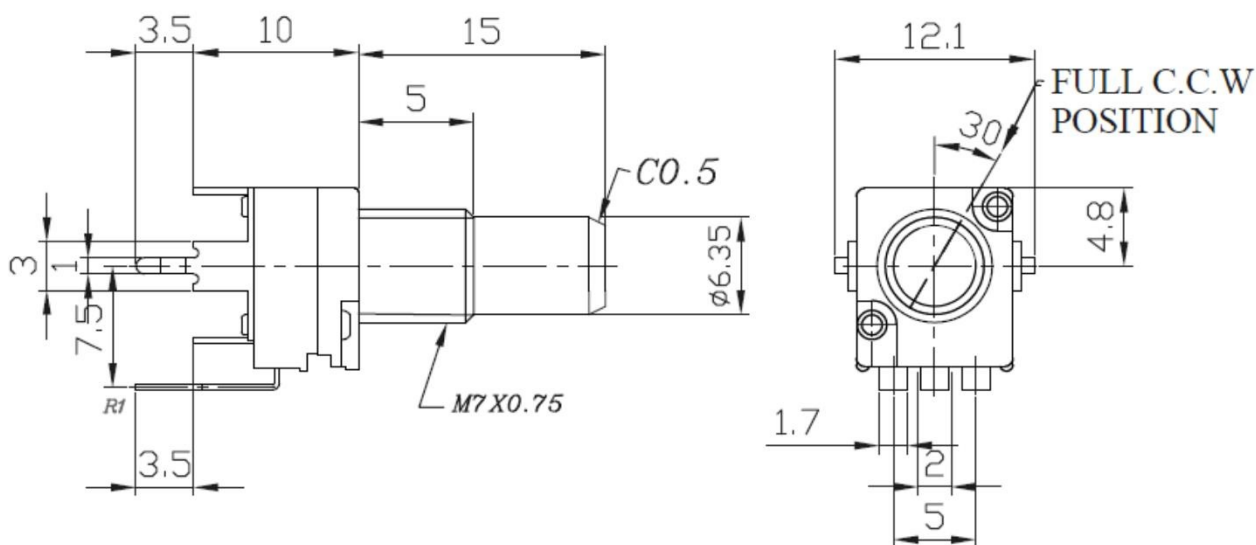


SPECIFICATION规格书	承认书编号	H-RP-201229
	页次	第1页 共2页

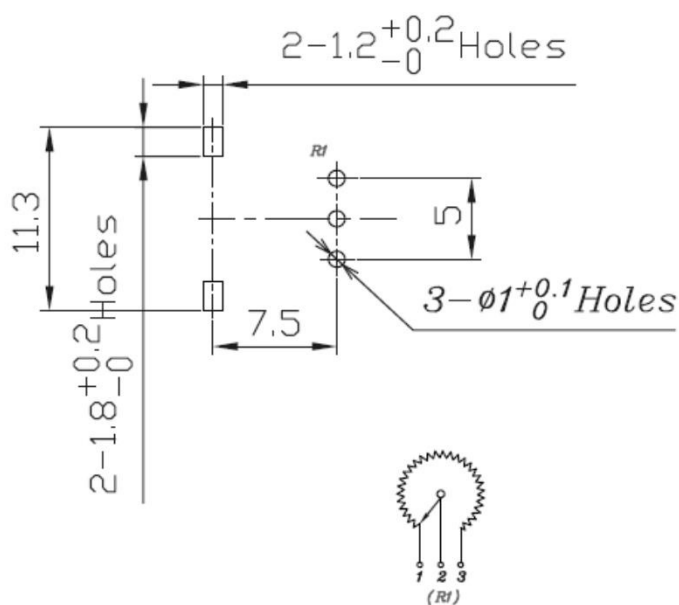
MODEL SERIES NAME 系列名称:	Rotary Potentiometer
MODEL NO 产品型号:	RV9312NO-OS15A00-B10K-060 specification

一、构造 CONSTRUCTION

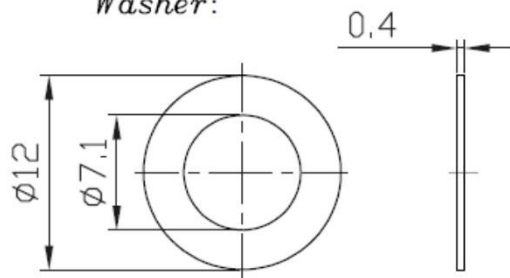
产品外形尺寸图:	按照图面规定 (Drawing)
外观 APPEARANCE	各部应良好无锈蚀、裂痕、电镀不良现象 EVRY PART SHOULD BE FINISHED NOT TO EXIST RUST FLAW CRACK AND PLATING



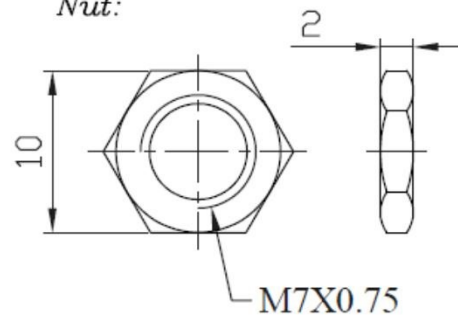
Mounting hole detail



Washer:



Nut:



4				Unit	Scale
3				mm	2.5:1

SPECIFICATION规格书	承认书编号	H-RP-201229
	页次	第2页 共2页

MODEL/SERIES/NAME系列名称:	Rotary Potentiometer
MODEL NO 产品型号:	RV9312NO-OS15A00-B10K-060 specification

二、机械性能 MECHANICAL STRUCTURE

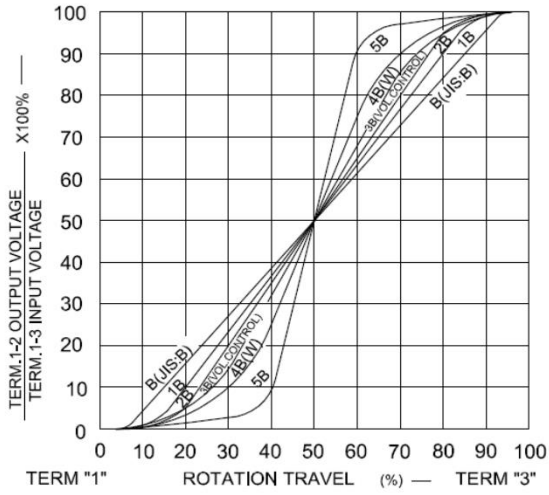
ITEM项目	SPICIFICATION
2.1 全回转角度 Total rotational angle	300°±10°
2.2 转动力矩 Rotational torque	10~200gf.cm
2.3 回转止动强度 Rotational stopper strength	5Kgf.cm
2.4 轴押引强度 Push-pull strength	8Kgf
2.5 轴摇晃度 Shaft wobble	0.6xL/20mm p-p max.

三、电气特性 ELECTRICAL CHARACTERISTICS

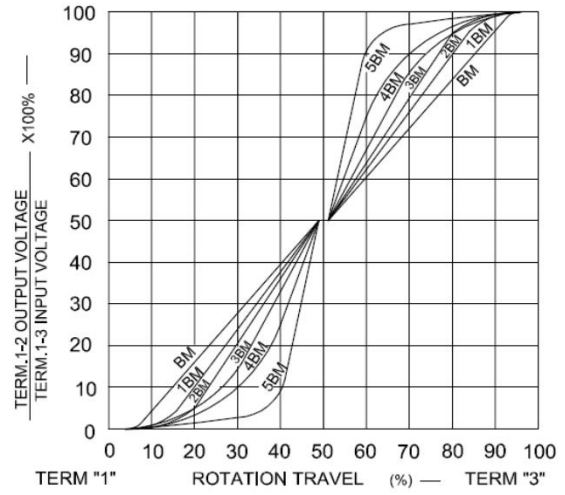
ITEM项目	SPICIFICATION									
3.1 全阻抗值 Total resistance	<u>10K</u> Ω									
3.2 全阻抗值容许差Total resistance tolerance	±20%									
3.3 残留电阻值 Residual resistance	<table style="width: 100%; border: none;"> <tr> <td style="width: 33%;">$R \leq 10K\Omega$</td> <td style="width: 33%;">10Ω</td> <td style="width: 33%;"></td> </tr> <tr> <td>$10K < R < 250K\Omega$</td> <td>20Ω</td> <td></td> </tr> <tr> <td>$R \geq 250K$</td> <td colspan="2">0.1% max. of total resistance</td> </tr> </table>	$R \leq 10K\Omega$	10Ω		$10K < R < 250K\Omega$	20Ω		$R \geq 250K$	0.1% max. of total resistance	
$R \leq 10K\Omega$	10Ω									
$10K < R < 250K\Omega$	20Ω									
$R \geq 250K$	0.1% max. of total resistance									
3.4 抵抗变化特性Total resistance tolerance	<input type="checkbox"/> A <input checked="" type="checkbox"/> B <input type="checkbox"/> C <input type="checkbox"/> D <input type="checkbox"/> W <input type="checkbox"/>									
3.5 定格电力 Power rating	B taper 0.05W other taper 0.025W									
3.6 最高使用电压Maximum operating voltage	B taper 50V AC other taper 25V AC									
3.7 滑动杂音 Slider noise	未滿100mv less than 100mv									
3.8 绝缘抵抗 Insulation resistance	100MΩ min. at 250V DC									
3.9 耐电压 Voltage proof	1 minute at 300V AC									
3.10 回转寿命 Rotational life	10,000 cycles min.									

STANDARD RESISTANCE TAPER

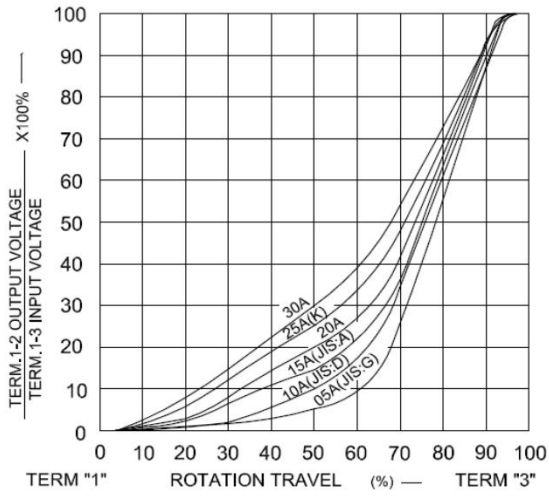
TAPERS B SERIES



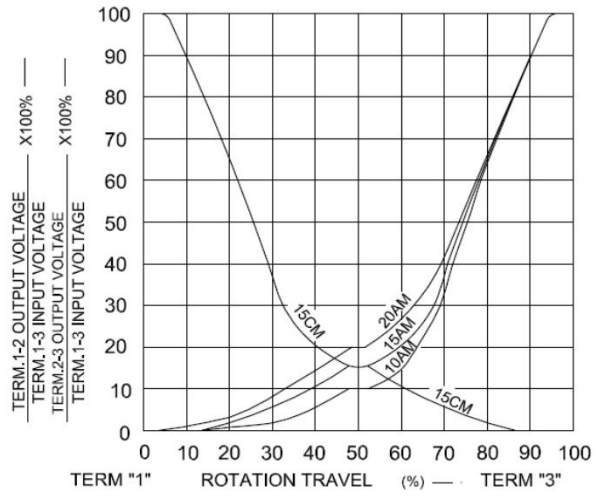
TAPERS B WITH 50% TAP



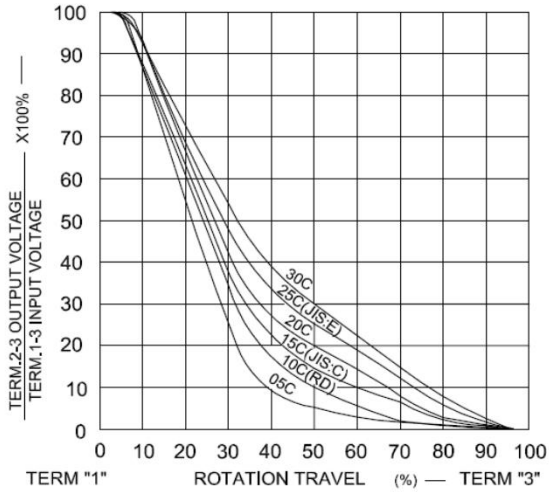
TAPERS A SERIES



TAPERS A & C WITH 50% TAP



TAPERS C SERIES



TAPERS M & N

