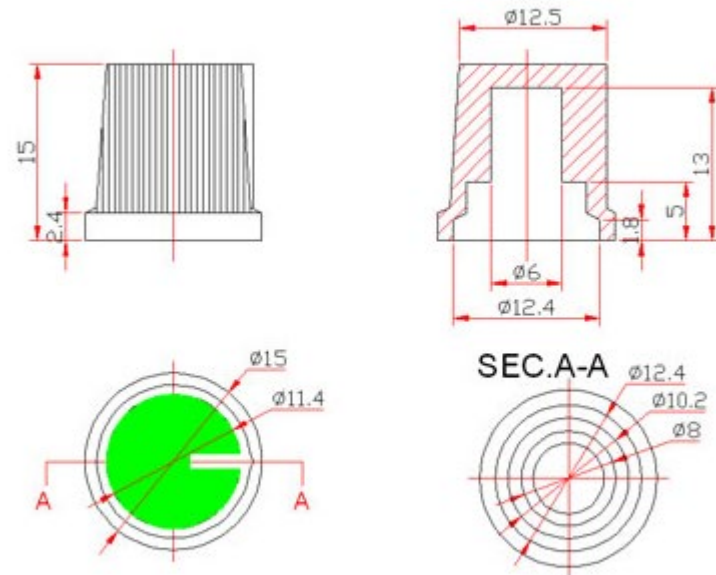


PART NO. :1009  
SHAFT HOLE:  $\Phi 6 \times 18T$   
MATERIAL: ABS+ABS



**Shaft: 6 \* 18Teeth**

