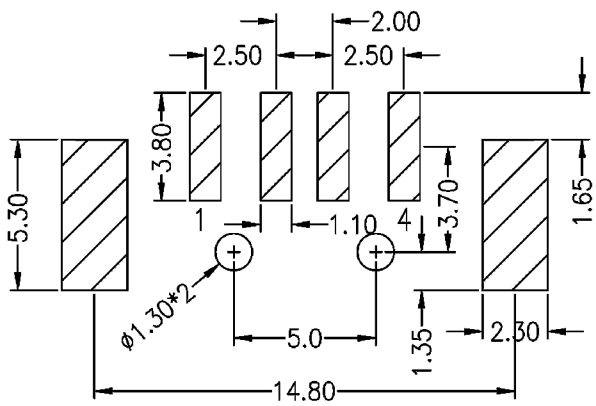
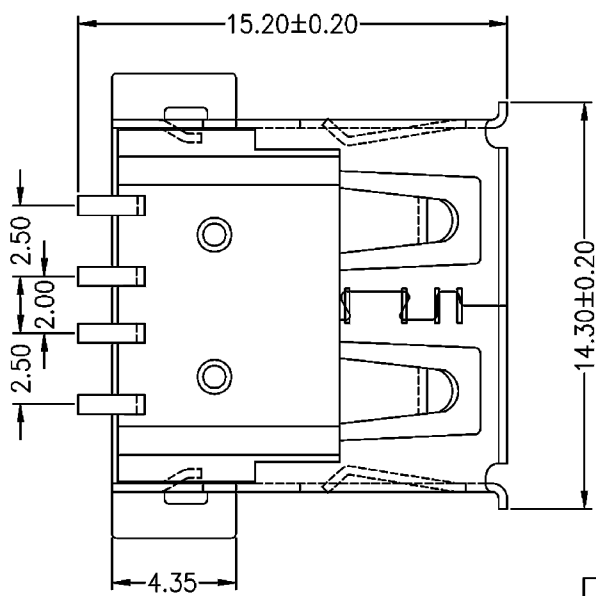
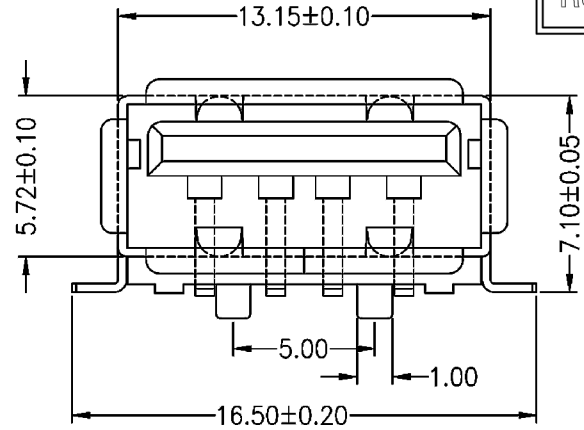
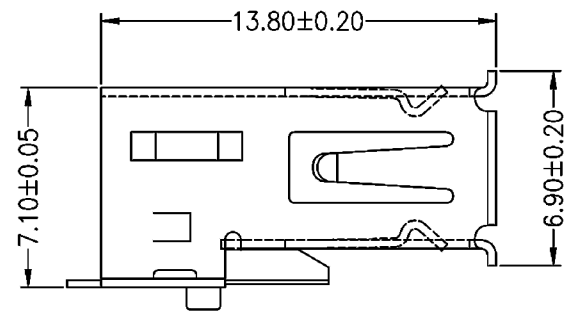


RoHS COMPLIANT

REV	ECN NO.	DESCRIPTION	DATE
A		RELEASE	DEC. 15' 17



**RECOMMENDED PCB LAYOUT
TOP VIEW**

NOTES:

- Material:**
 Housing: LCP, UL94 V-0 Rated.
 Color: White or Black.
 Contact: Brass.
 Plating: Gold Plating over Nickel on Contact Area.
 Tin Plating over Nickel on Solder Tail.
 Shield: SPCC
 Plating: Nickel Plating.
- Mechanical:**
 Mating Force: 3.57Kgf Max.
 Unmating Force: 1.02Kgf Min.
 Terminal Retention Force: 1.2Kgf Min.
- Electrical Specification:**
 Current Rating: 1.5Amp per Contact Terminal.
 Voltage Rating: 30V DC.
 Contact Resistance: 30mΩ Max.
 Insulation Resistance: 1000MΩ Min.
 Dielectric Voltage: 500VAC 1 sec level.
- Environmental:**
 Operating Temperature: -55°C to +85°C.
- Package:**
 Tape & Reel.

UMRA04FT * NY -*U -03
 a b

- Housing Color: K=Black
W=White
- Contact Plating: Blank=Gold Flash
-15U=15u" Gold

Pin Number	Signal Name
1	+5V
2	D-
3	D+
4	GND

TOLERANCE UNLESS OTHERWISE SPECIFIED		
LINEAR	ANGLE	
X. ± 0.50	X° ±	
.X ± 0.35	.X° ±	
.XX ± 0.25	.XX° ±	
.XXX±	.XXX° ±	
APPD		
CHKD		
DRAW	Z	DEC. 15' 2017

PROJECTION
UNITS
MM
SCALE
SIZE
A4

		GOLD-TEK ELECTRIC CO., LTD.	
TITLE USB A TYPE FEMALE R/A SMT TYPE		PART NO. UMRA04FT*NY-*U-03	
CPART NO.		CAD NO. I0138A	SHEET
		F:\PDF\USB\USB-0104	1 OF 1
圖面編號: GTKGS2459-A(1)			