

SINGLE DRIVER

KID65501P/F COMMON EMITTER.
KID65502P/F COMMON EMITTER.
KID65503P/F COMMON EMITTER.
KID65504P/F COMMON EMITTER.
KID65505P/F COMMON COLLECTOR.
KID65506P/F COMMON COLLECTOR.
KID65507P/F ISOLATED.

FEATURES

- Output Current : 200mA Max.
- High Voltage Outputs : 35V
- Input Compatible with Various Types of Logic
 - KID65501P/F
 - KID65505P/F } Using external resistor : General Purpose
 - KID65507P/F }
 - KID65502P/F $R_{IN}=7V$ Zener Diode+10.5k : 14 25V P-MOS
 - KID65503P/F
 - KID65506P/F } $R_{IN}=2.7k$: TTL, 5V C-MOS
 - KID65504P/F $R_{IN}=10.5k$: 6 15V P-MOS, C-MOS

DESCRIPTION :

The KID65501P/F Series are comprised of seven or five NPN Transistor Arrays. For proper operation, the substrate (SUB) must be connected to the most negative voltage.

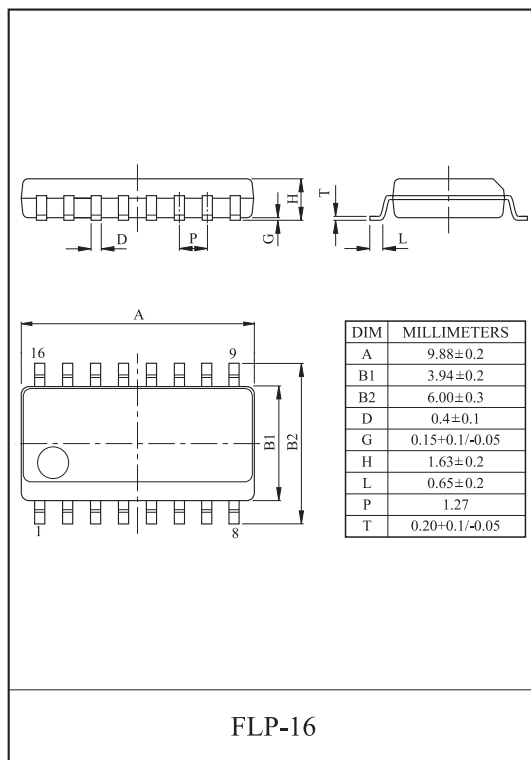
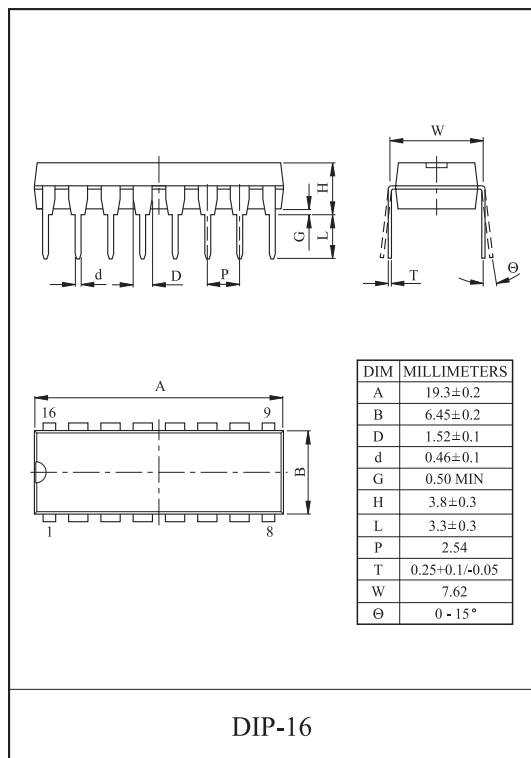
MAXIMUM RATINGS (Ta=25 , unless otherwise noted)

CHARACTERISTIC	SYMBOL	RATING	UNIT
Collector-Emitter Voltage	V_{CEO}	35	V
Collector-Base Voltage	V_{CBO}	50	V
Collector Current	I_C	200	mA
Input Voltage	V_{IN}^*	-0.5 +45	V
	V_{IN}^{**}	-0.5 +30	
Input Current	I_{IN}^{***}	25	mA
Isolation Voltage	V_{SUB}	35	V
GND Terminal Current	I_{GND}	500	mA
Power Dissipation	KID65501P KID65507P	1.0	W
	KID65501F KID65507F	0.54	
Operating Temperature	T_{opr}	-40 85	
Storage Temperature	T_{stg}	-55 150	

* KID65506P/F

** KID65502P/F, KID65503P/F, KID65504P/F

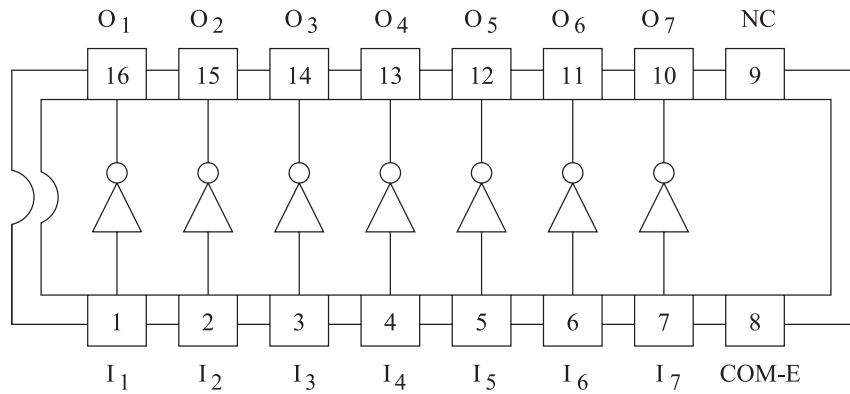
*** KID65501P/F, KID65505P/F, KID65507P/F



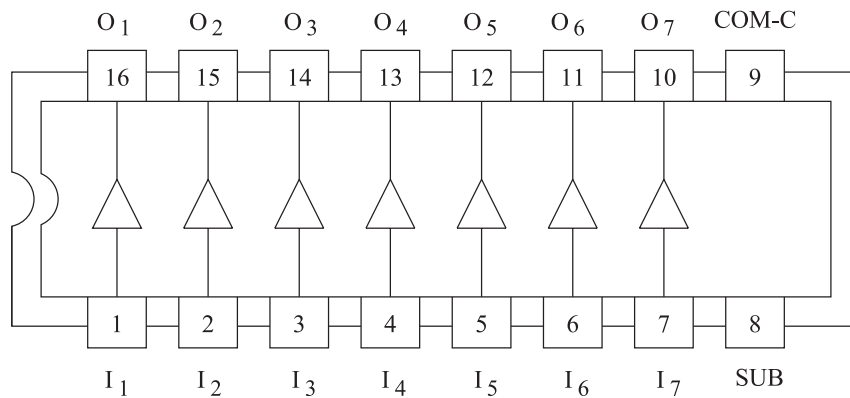
KID65501P/F~KID65507P/F

PIN CONNECTIONS (TOP VIEW)

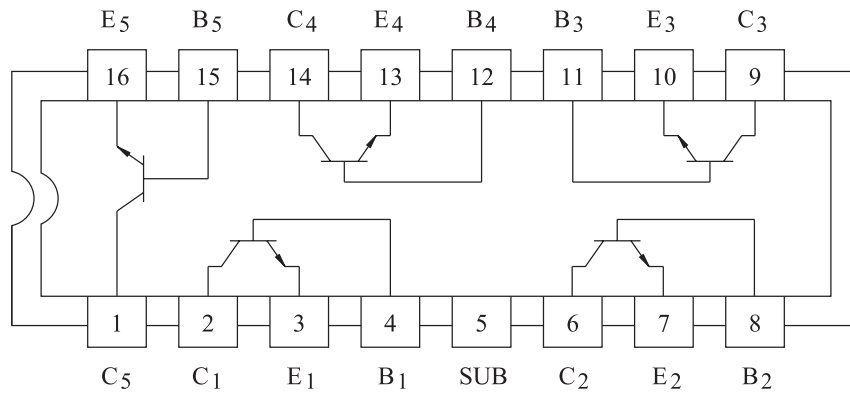
**KID65501P/F, KID65502P/F, KID65503P/F,
KID65504P/F**



KID65505P/F, KID65506P/F



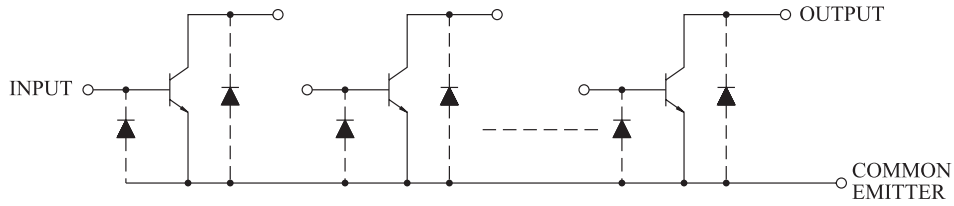
KID65507P/F



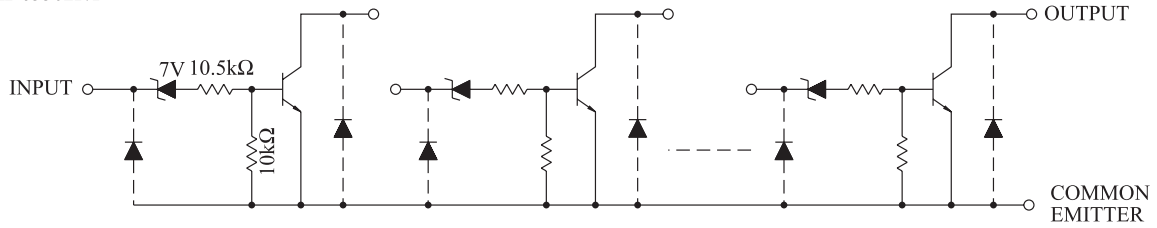
KID65501P/F~KID65507P/F

SCHEMATICS

KID65501P/F

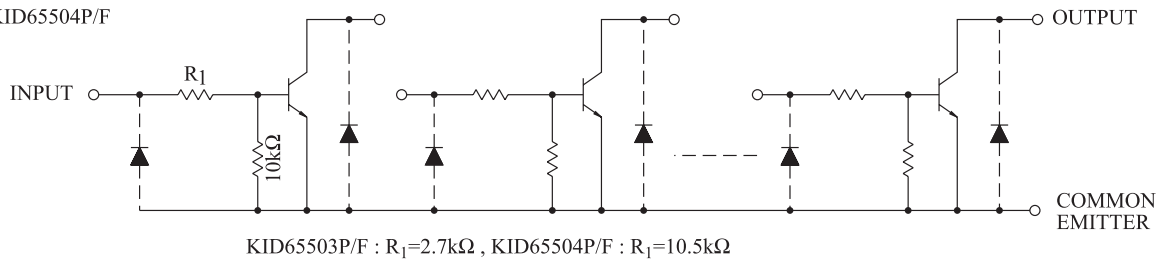


KID65502P/F

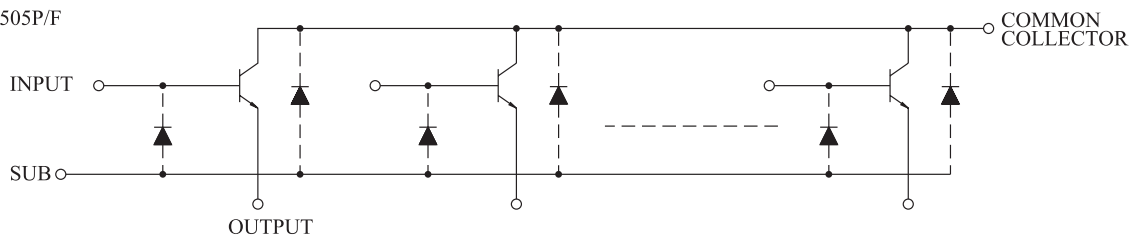


KID65503P/F

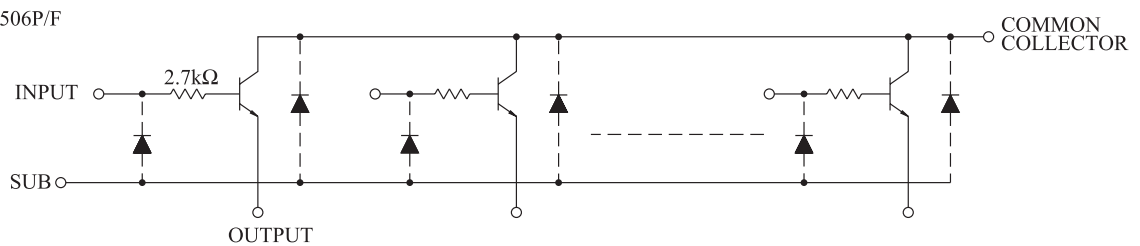
KID65504P/F



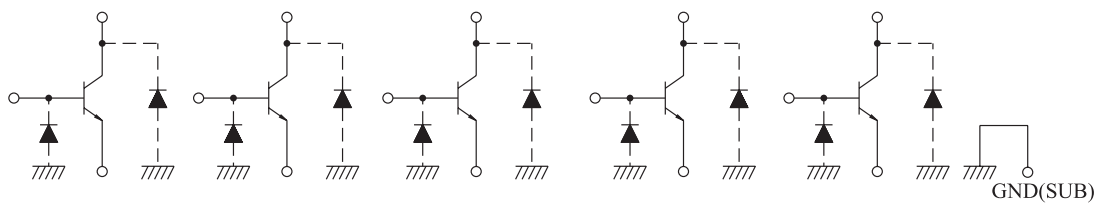
KID65505P/F



KID65506P/F



KID65507P/F



KID65501P/F~KID65507P/F

RECOMMENDED OPERATING CONDITIONS (Ta=-40 ~ 85)

CHARACTERISTIC		SYMBOL	CONDITION	MIN.	TYP.	MAX.	UNIT
Collector-Emitter Voltage		V_{CEO}		0	-	35	V
Collector-Base Voltage		V_{CBO}		0	-	50	V
Collector Current		I_C		0	-	150	mA
Input Voltage	KID65506P/F	V_{IN}		0	-	35	V
	KID65502P/F KID65503P/F KID65504P/F			0	-	25	
Input Current		KID65501P/F KID65505P/F KID65507P/F	I_{IN}	0	-	10	mA
Power Dissipation	KID65501P KID65507P	P_D		-	-	0.36	W
	KID65501F KID65507F		On PCB *	-	-	0.325	

* : on glass epoxy PCB (30 × 30 × 1.6mm Cu50%)

ELECTRICAL CHARACTERISTICS (Ta=25)

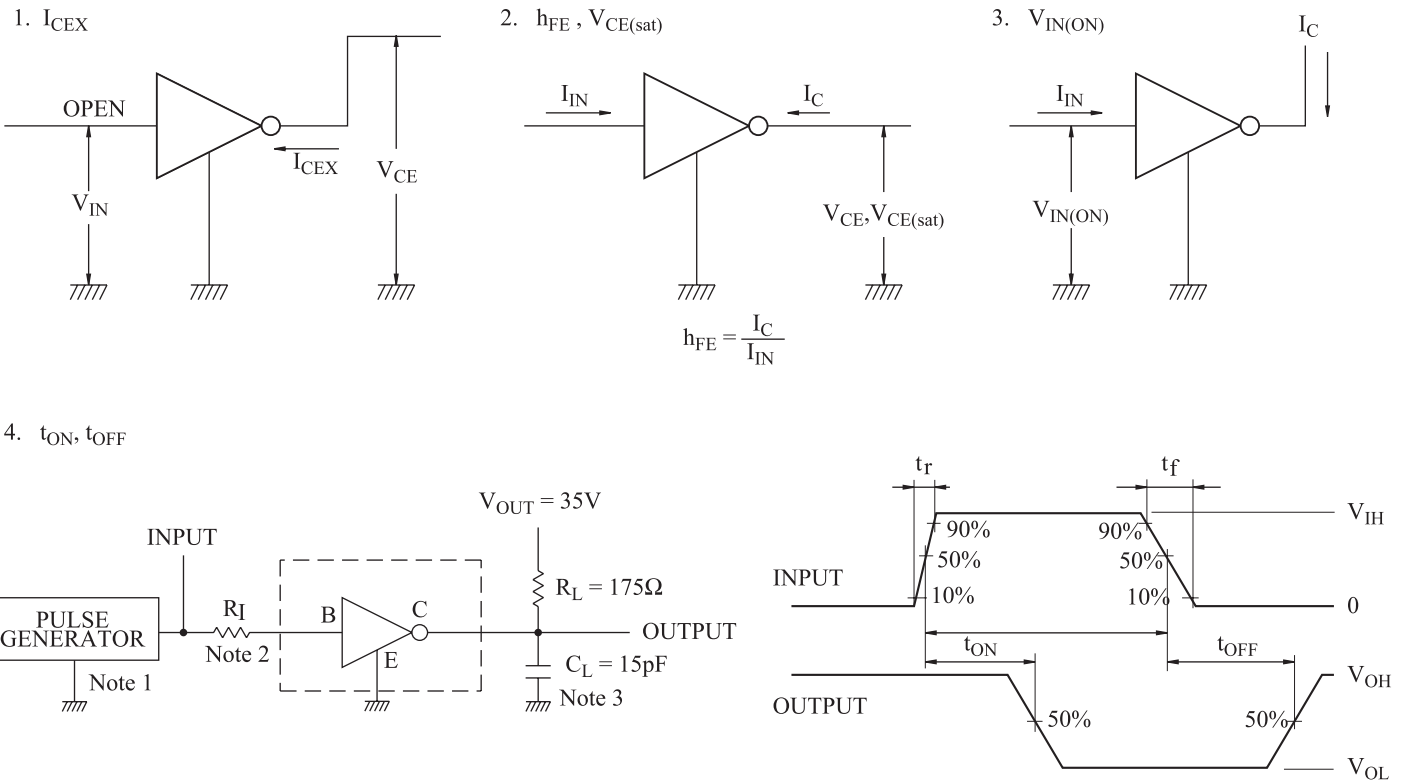
CHARACTERISTIC	SYMBOL	TEST CIRCUIT	TEST CONDITION	MIN.	TYP.	MAX.	UNIT	
Output Leak Current	I_{CEX}	1	$V_{CE}=25V, V_{IN}=0$	-	-	10	μA	
Collector-Emitter Saturation Voltage	$V_{CE(sat)}$	2	$I_{IN}=1mA, I_C=10mA$	-	-	0.2	V	
			$I_{IN}=3mA, I_C=150mA^*$	-	-	0.8		
DC Forward Current Transfer Ratio	h_{FE}	2	$V_{CE}=10V,$ $I_C=10mA$	**	70	-	-	
				***	50	-	-	
Input Voltage (Output ON)	$V_{IN(ON)}$	3	$I_{IN}=1mA,$ $I_C=10mA$	KID65502P/F	13	17	23	V
				KID65503P/F	2.4	3.4	4.2	
				KID65504P/F	7.5	11.5	15	
Turn-ON Delay	t_{ON}	4	$V_{OUT}=35V, R_L=175$ $C_L=15pF$	-	50	-	ns	
Turn-OFF Delay	t_{OFF}			-	200	-		

* EXCEPT KID65502P/F

** KID65501P/F, KID65505P/F, KID65506P/F, KID65507P/F

*** KID65502P/F, KID65503P/F, KID65504P/F

KID65501P/F~KID65507P/F



Notes : 1. Pulse Width 50 μs , Duty Cycle 10%
Output Impedance 50 Ω , t_r 5ns, t_f 10ns

2. See below

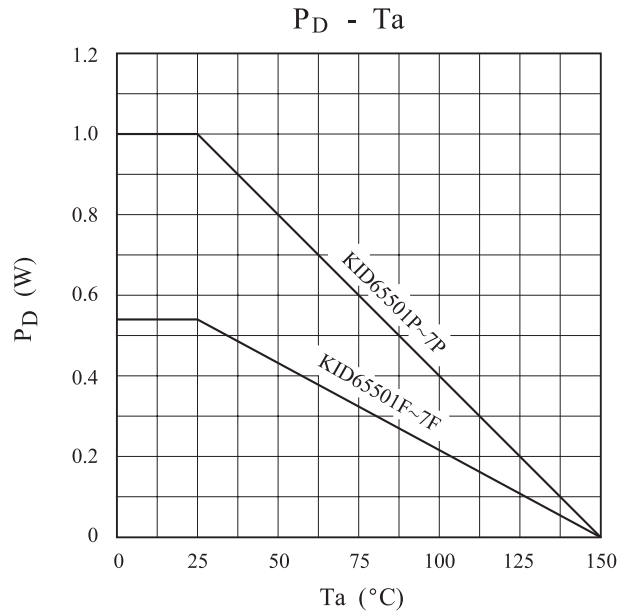
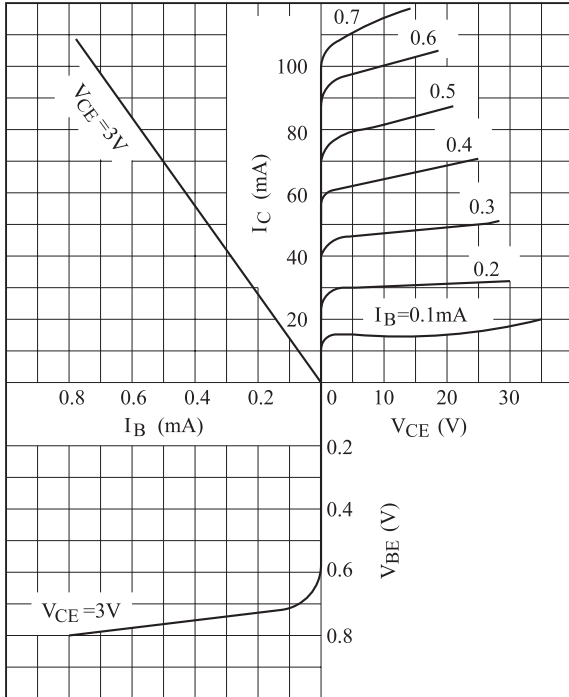
Input Conditions

Type Number	R_I	V_{IH}
KID65501P/F	2.7k	3V
KID65502P/F	0	15V
KID65503P/F	0	3V
KID65504P/F	0	10V
KID65505P/F	2.7k	3V
KID65506P/F	0	3V
KID65507P/F	2.7k	3V

3. C_L includes probe and Jig capacitance.

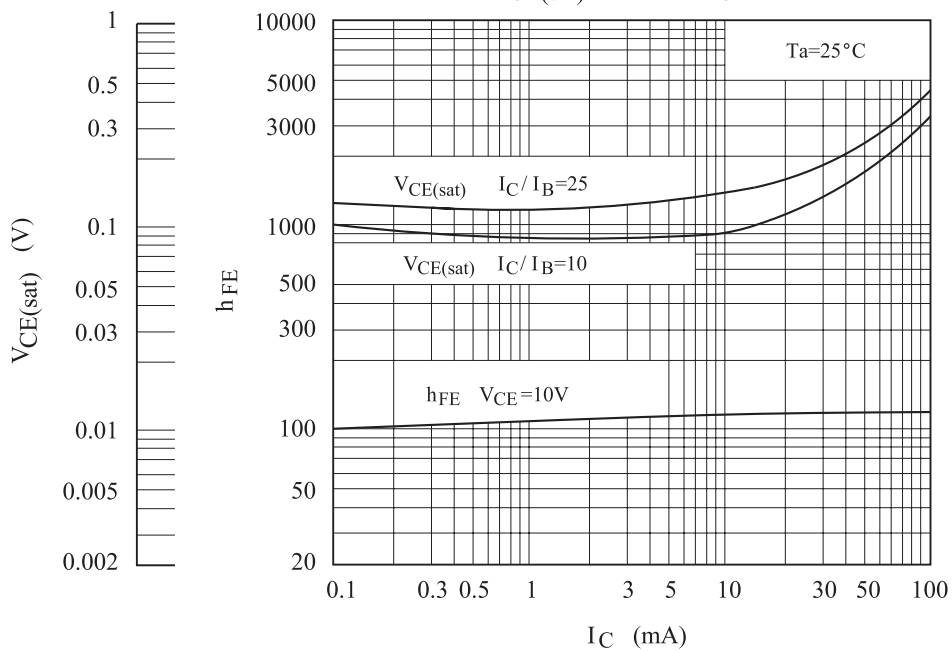
KID65501P/F~KID65507P/F

KID65501P/F, KID65505P/F, KID65507P/F STATIC CHARACTERISTICS



KID65501P/F, KID65505P/F, KID65507P/F

$V_{CE(sat)}$, h_{FE} - I_C



KID65501P/F~KID65507P/F

