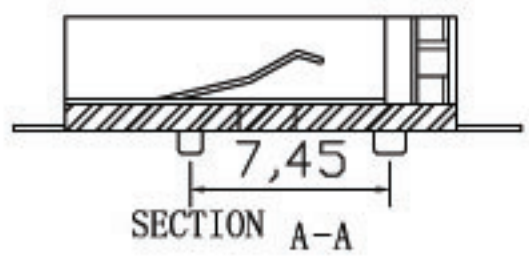
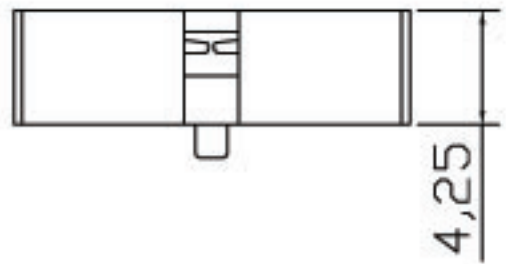
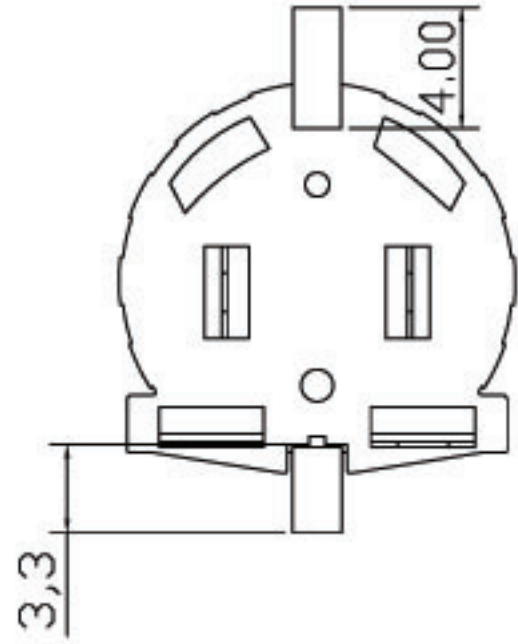
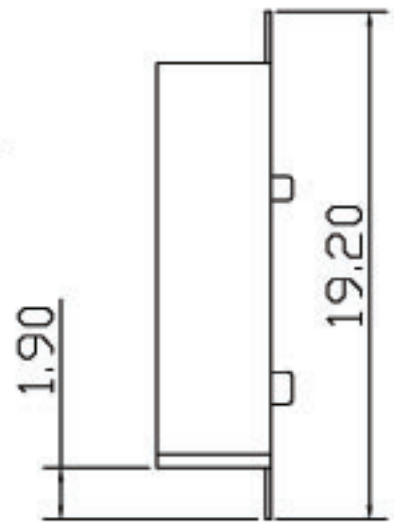
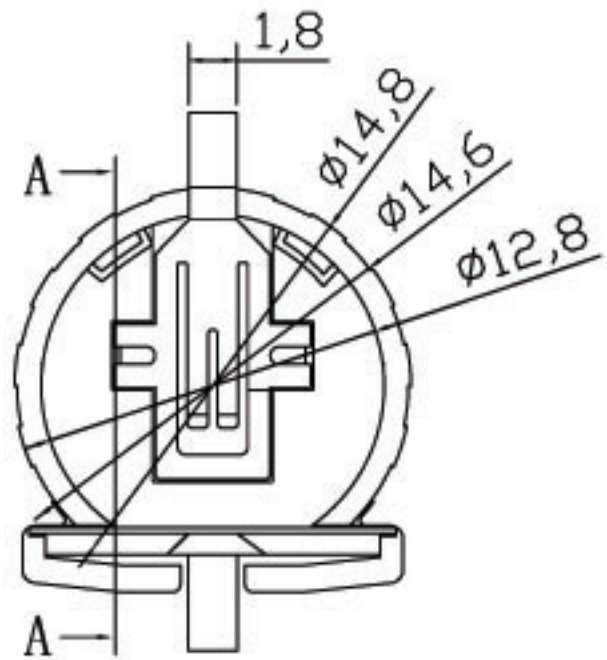


REV.	ECN. NO.	APP.	DATE
A			



NOTE:  
 1.MATERIAL:  
 a.HOUSING:PPS UL94 V-0  
 b.CONTACT:PHOSPHOR BRONZE  
 (SURFACE PLATING:Sn100u"+Ni50u")  
 2.ELECTRIC:  
 a.CONTACT RESISTANCE: 30 MILLIOHMS MAX  
 b.INSULATION RESISTANCE: 1000 MEGA OHMS MIN  
 c.DIELECTNIC VOLTAGE: 500V AC ONE SEC LEVEL  
 d.OPERATING TEMPERATURE: -55~+105

SHENZHEN LIDEA BATTERY CO., LTD.

TOLERANCE		DRAWN	TITLE: 两PIN 电池座 卧式SMT (BS-1220-2)	REV. A
LINEAR	ANGLE			
x ±1	x' ±5'	APPROVED	SCALE: 1/1	SHEET. 1 OF 1
.x ±0.38	.x' ±2'	DATE 2007.07.06	SIZE: A4	DWG. NO.
.xx ±0.25	.xx' ±1'			
.xxx ±0.05				