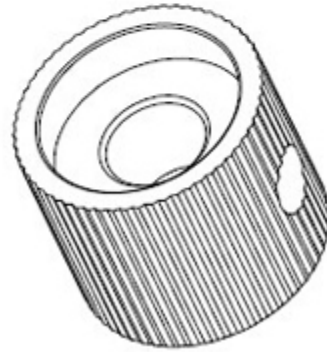
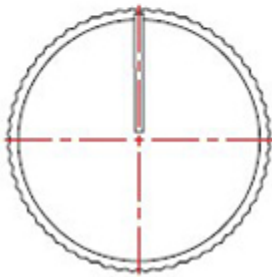
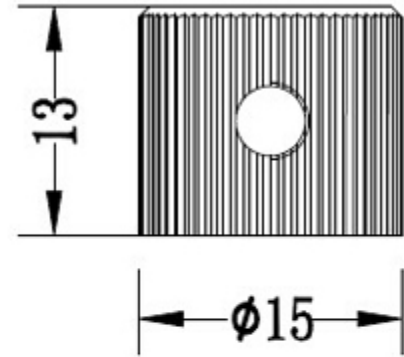


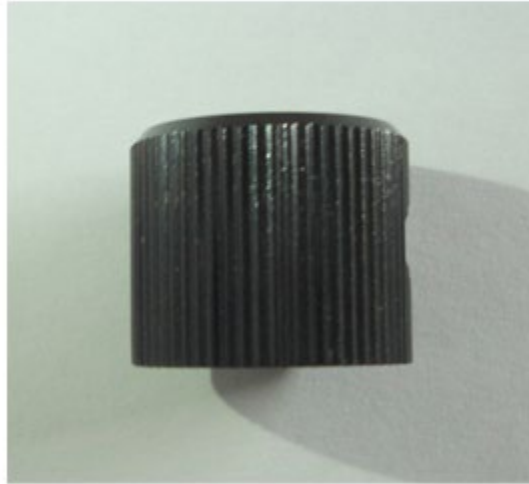
SECTION A-A



Top



Side



Bottom

