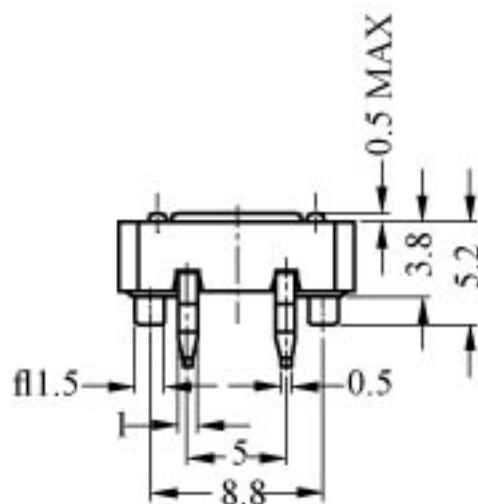
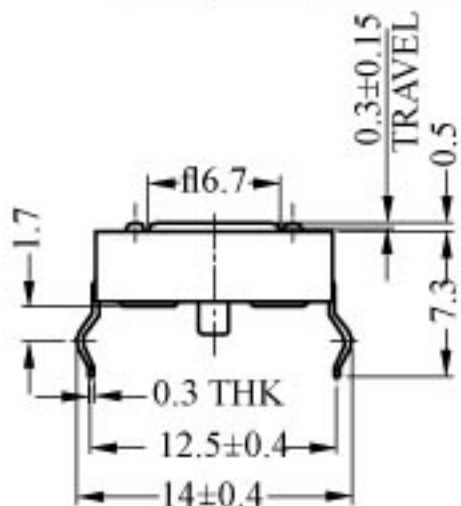
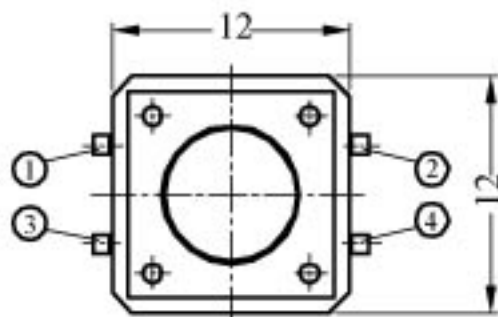


# TC-12ED SERIES

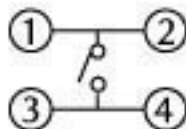


MODEL NO.	Guide Pin	Tape & Reel Option
TC-12ED	With	No
TC-12XD	Without	No

COVER TYPE	CODE
PLASTIC	A01
METAL	A00

CODE	OPERATING FORCE(gf)
X	$160 \pm 50$
Z	$250 \pm 100$

## CIRCUIT DIAGRAM



## SPECIFICATIONS

1. RATING : DC 12V 50mA
2. TRAVEL :  $0.3 \pm 0.15$ mm
3. CONTACT RESISTANCE 100 m $\Omega$  MAX

