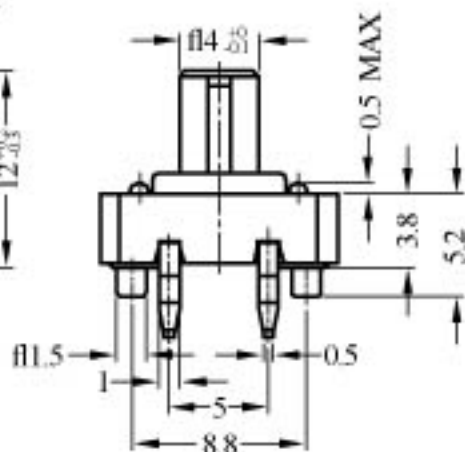
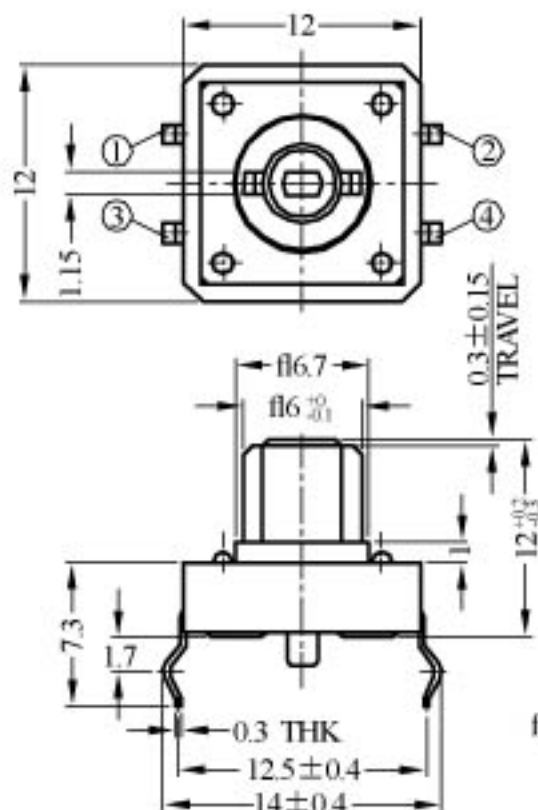


TC-12EB SERIES

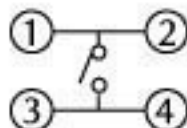


MODEL NO.	Guide Pin	Tape & Reel Option
TC-12EB	With	No
TC-12XB	Without	No

COVER TYPE	CODE
PLASTIC	A01
METAL	A00

CODE	OPERATING FORCE(gf)
X	160 ± 50
Z	250 ± 100

CIRCUIT DIAGRAM



SPECIFICATIONS

1. RATING : DC 12V 50mA
2. TRAVEL : 0.3 ± 0.15mm
3. CONTACT RESISTANCE 100 mΩ MAX

