

# S.T. INDUSTRIAL (ASIA) LIMITED

## Specifications 技術特性表

PART NO.	型號 :	SS-12F108-G
SERIES	系列 :	Vertical Slide Switch
RATING	額定值 :	DC 30V 0.3A
CIRCUIT	回路 :	1P2T
TIMING	切換類型 :	NON-SHORTING

**A: OPERATING TEMPERATURE RANGE IS -10°C TO 60°C. IT IS USUALLY APPLIED TO ELECTRONIC AND ELECTRICAL APPLIANCE PRODUCTS.**

溫度 -10°C~60°C 環境內使用。一般適用於電子、電氣方面產品使用。

**B: STANDARD TEST TEMPERATURE SHALL BE 5°C TO 35°C AND HUMIDITY SHALL BE 45% TO 85% .**

溫度 5~35°C , 濕度 45~85% 標準狀態下測試。

ITEM 項目		TEST CONDITION 測試條件	PERFORMANCE 性能
<b>ELECTRONICAL PERFORMANCE 電氣性能</b>			
電氣性能1	CONTACT RESISTANCE 接觸電阻	Being tested at 1kHz small current and voltage (100mA , 50mV ) by contact resistance meter. 在1kHz 小電流電壓 ( 100mA,50mV ) 下測量。	30 mΩ max. 30毫歐 以下。
電氣性能2	INSULATION RESISTANCE 絕緣電阻	DC 500 V shall be applied for test between terminals and between terminals and frame for one minute. 在端子之間和端子與殼之間加 DC 500 V 條件下,持續1分鐘測量。	100MΩ min. 100兆歐 以上。
電氣性能3	WITHSTAND VOLTAGE 耐電壓	AC 500 V and induction current 1mA shall be applied for test between terminals and between terminals and frame for one minute. 在端子之間和端子與殼之間加 AC 500 V (50Hz或60Hz) 感應電流1mA條件下,持續1分鐘測量。	There shall be no breakdown. 无击穿现象出现。
<b>MECHANICAL PERFORMANCE 機械性能</b>			
機械性能4	OPERATING 動作力	Measure at the point of 3mm from the tip of the knob. 在距離推杆前沿端 3mm作測定點。 	250±100gf
機械性能5	TERMINAL STRENGTH 端子強度	A static force of 500 g being applied in one direction on the tip of the terminal for 1 minute. 一個 500 克之靜負荷施加於端子頂部的一個方向持續1分鐘。	There shall be no sign of mechanical and electrical damage. 無任何迹象顯示機械及電器性能之損壞。

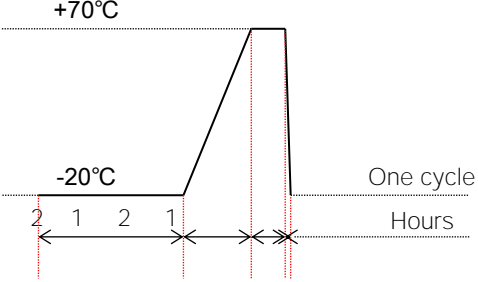
# S.T. INDUSTRIAL (ASIA) LIMITED

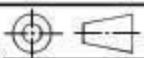
## Specifications 技術特性表

ITEM 項目		TEST CONDITION 測試條件	PERFORMAENCE 性能
測試條件6	KNOB STRENGTH 推杆強度	A static force of 1kg being applied in one direction of knob for one minutes. 一個1公斤靜負荷施加於推杆之一個方向持續1分鐘。 續1分鐘。	Knob can be operated normally without deformation 推杆無變形,可以正常操作。
<b>DURABILITY 耐久性</b>			
耐久性7	SOLDERING TEST 可焊性試驗	The tip of the terminals shall be dipped 2 mm in the solder bath within temperature of 250±5°C for 3 seconds. 端子頂部被浸入焊錫池 2mm 深,溫度230±5°C,時間3秒。	Over 95% of the immersed surface was covered by tin. 浸入的部份95%以上表面將被錫覆蓋。
		The condition mentioned is temperature for lead-free soldering . 無鉛錫測試 Alloy:Sn 96.5% Cu 3% Ag 0.5% 成份: 錫 96.5% 銅 3% 銀 0.5%	
耐久性8	SOLDERING RESISTANT TEST 耐焊性試驗	Dip soldering temperature 280±5°C,soldering time 3±0.5 seconds,immersion depth up to the surface of the board, thickness of PCB 1.6 mm. 浸錫爐的溫度控制在 260±5°C , 焊接的時間 3±0.5秒,於(基板)厚度為 1.6 mm.	Without deformation of case or excessive looseness of teminals, meet mechanical and electrical properties. 本體無變形,能滿足於機械、電器性能。
		Manual soldering temperature 350±10°C, soldering time 3±0.5 seconds,however excessive pressure shall not be applied to the terminal. 手焊接的時候溫度需控制在350±10°C,時間為3±0.5秒,但不能在端子上施加異常壓力。	
		The condition mentioned is temperature for lead-free soldering . 無鉛錫測試。 Alloy:Sn 96.5% Cu 3% Ag 0.5% 成份: 錫 96.5% 銅 3% 銀 0.5%	
		<i>Remark:Don't use in wave Soldering.</i> <b>備注:不可用於波峰焊接</b>	
耐久性9	LIFE TEST 壽命試驗	10,000 cycles of operation at a rate of 15-18 cycles per minute with unloading 無負載條件下,每分鐘 15-18 次的速度操作 10,000 次。	( 1 ) Contact resistance 50mΩ max. 接觸電阻100毫歐以下 ( 2 ) Operating force 30% initial value 動作力變化範圍初始值30% ( 3 ) ITEM 項目—2 ( 4 ) ITEM 項目—3

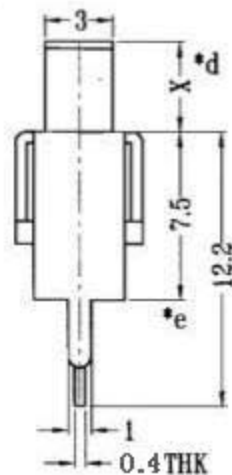
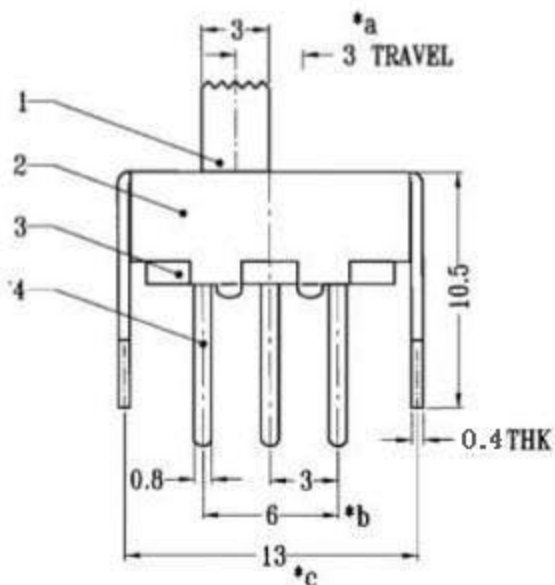
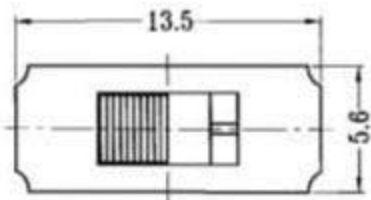
# S.T. INDUSTRIAL (ASIA) LIMITED

## Specifications 技術特性表

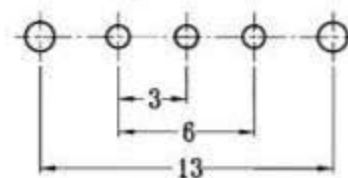
ITEM 項目		TEST CONDITION 測試條件	PERFORMAENCE 性能
	HEAT RESISTANT TEST 耐熱試驗	80±2°C for 96 hours, test after keeping in normal condition for 30 minutes. 在 80±2°C 環境中放96小時,再放在正常環境中30分鐘後進行測試。	( 1 ) Contact resistance 50mΩ max. 接觸電阻50毫歐以下 ( 2 ) Insulation resistance 50 MΩ min. 絕緣電阻50兆歐以上 ( 3 ) ITEM 項目—6.3 ( 4 ) ITEM 項目—7.1
測試條件11	MOISTURE RESISTANT TEST 耐濕試驗	40±2°C 90-95%RH for 96 hours. test after keeping in normal condition for 30 minutes. 在40±2°C 90-95%RH 環境中放96小時,再放在正常環境中, 30分鐘後進行測試。	
測試條件12	COLD RESISTANT TEST 耐冷試驗	At -20±3°C for 96 hours, test after keeping in normal condition for 30minutes. 在 -20±3°C 環境中放96小時, 再置於正常環境中, 30分鐘後進行測試。	
測試條件13	TEMPERATURE CYCLING TEST 溫度交 變試驗	According to following figure, after 5 cycles, test after keeping in normal condition for 30 minutes. 如圖示之環境中, 循環5次後, 再置於正常環境中, 30分鐘後進行測試。 	
測試條件14	STORAGE ENVIROMENT 儲存環境	Under sealing pack condition, stored temperature don't exceed 30°C and relative humidity is 75% RH; in the enviroment of no sunshine direct and no corrosive gas, the stored time ought to be three months but within six month at most. 密封包裝狀態下, 儲存溫度為≤30°C, 相對溫度 75% RH; 無陽光直射, 無腐蝕性氣體的環境中, 儲存時間為3個月, 最長不宜超過6個月。 Without sealing pack condition, stored temperature don't exceed 30°C and relative humidity is 75% RH; in the enviroment of no sunshine direct and no corrosive gas, the stored time shouldn't exceed 48H 無密封包裝狀態下, 儲存溫度為≤30°C, 相對溫度 75% RH; 無陽光直射, 無腐蝕性氣體的環境中, 儲存時間最長不宜超過48小時。 Don't excessive overlap or overstocking when keeping this goods, in case of damage. 保存時應注意物品不能過量重疊、積壓、以免損壞	



CAD FILE:



SCHEMATIC (NON-SHORTING)



P.C.B LAYOUT

注：“\*”表示关键尺寸（3个）。

NO.	PARTS	MATERIALS	Q'TY	FINISH	TOLERANCE UNLESS SPECIFIED						
8											
7											
6	SPRING	STEEL WIRE	1	NATURAL	WITHIN 1.5mm : ±0.1mm	A	09-Jul-2012	初版			
5	CONTACT	BRASS STRIP	1	Ag PLATED	OVER 1.5mm : ±0.2mm	ISSUE	DATE	DESCRIPTIONS OF REVISION		APPD.	
4	TERMINAL	BRASS STRIP	3	Ag PLATED	TITLE : VERTICAL SLIDE SWITCH			UNIT : mm	DRWG NO.: TT-DR-SS12F108-00		
3	BASE	PHENOLIC RESIN	1	NATURAL				MODEL: SS-12F108			SCALE: 3 : 1
2	FRAME	STEEL STRIP	1	BLACK	S. T. INDUSTRIAL (ASIA) LIMITED						
1	KNOB	POM	1	BLACK							