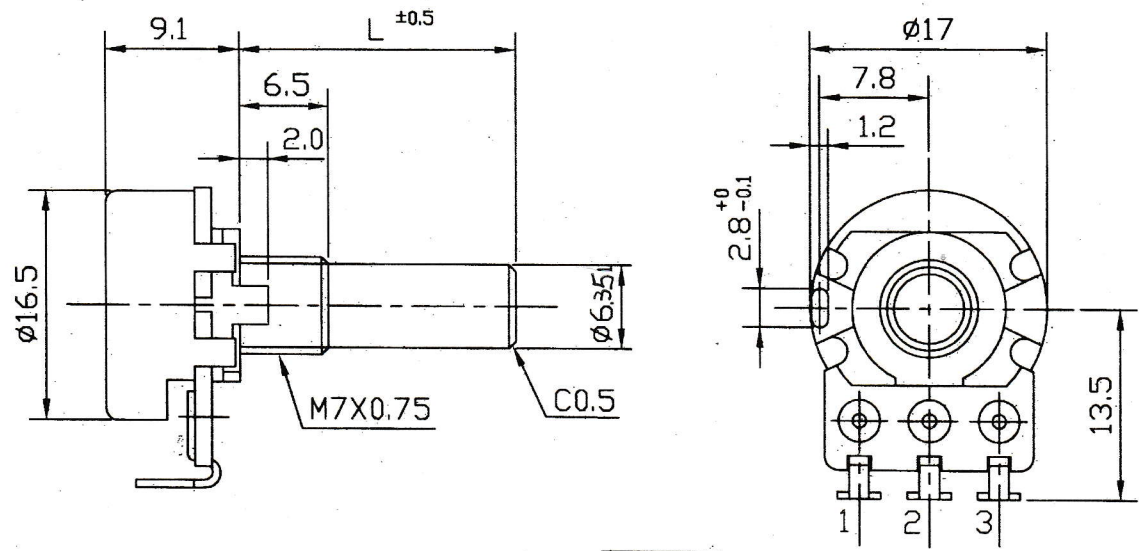
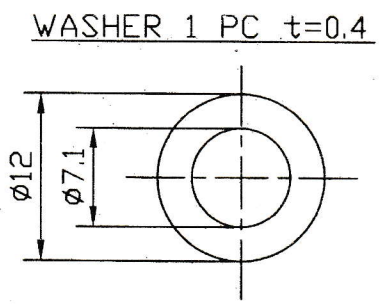
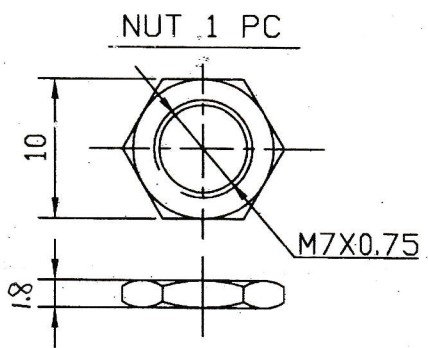


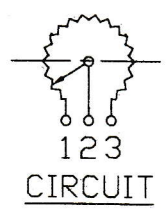
THIRD ANGLE PROJECTION



	L
✓	15
	20
	25



● 300° ROTATION
MONO UNIT



NOTE:
BUSHING MATERIAL IS ZINC ALLOY DIECASTING.

						RV16AF-10-(L)R/	
No.	DATE	DESCRIPTION		MODEL NAME			
TOL.UNLESS OTHERWISE STATED		DIMENSION	SCALE	DRAWN BY	CHECKED BY	APPROVED BY	DRAWING No.
less than	10	±0.3	2 1	 05.DEC.2014 		 2014.12.05 	
above	10~30	±0.5					
above	30~100	±1.0					
above		±5'					