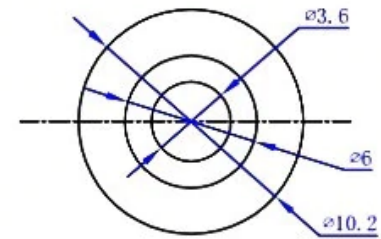
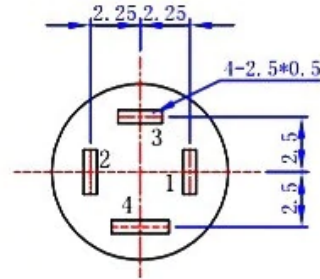
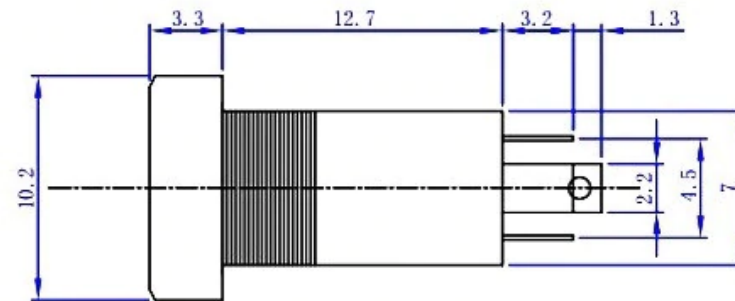
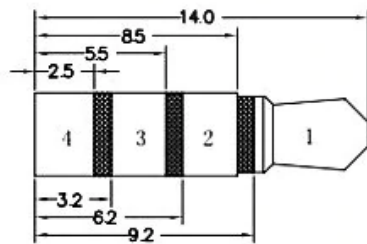
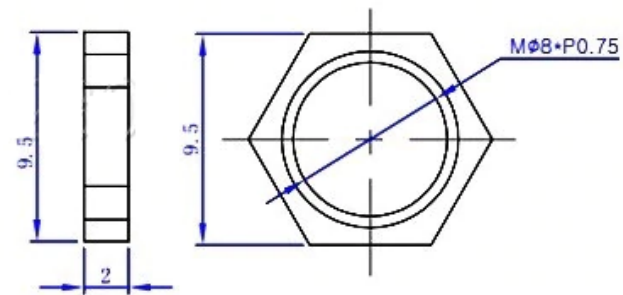


P. C. B. LAYOUT TOP VIEW



Nut



Dimension in mm ± 0.5 mm