

按钮开关

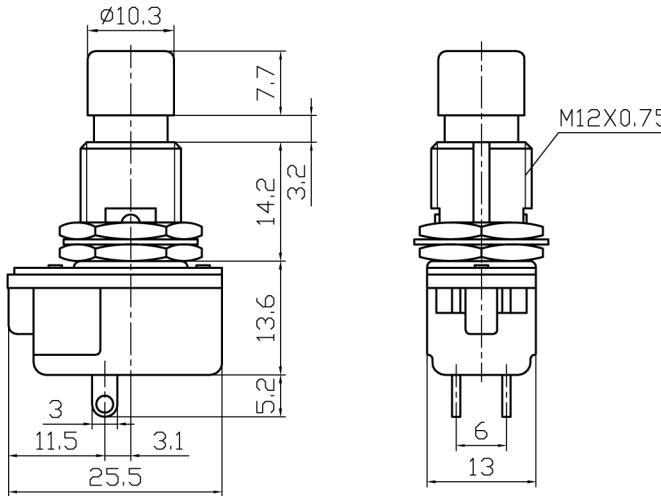
Push-Button Switch

型号(TYPE):PBS-24B-2

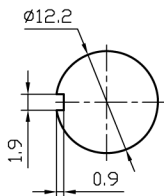
技术特性 (Specification)

1. 规格 (Rating):10A 125V AC; 6A 250V AC
2. 接触电阻(Contact R):20mΩ max
3. 绝缘电阻(Insulation R):500V DC 100MΩ min
4. 耐电压 (Dielectric Strength):1 Minute 1000V AC
5. 操作温度(Operating Temperature):-25℃~+85℃
6. 电气寿命(Electrical Life):50, 000 Cycles

外型图 (Outline Drawing)



安装尺寸 (Mounting)



电路图 (Circuitry)

