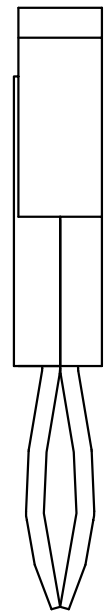
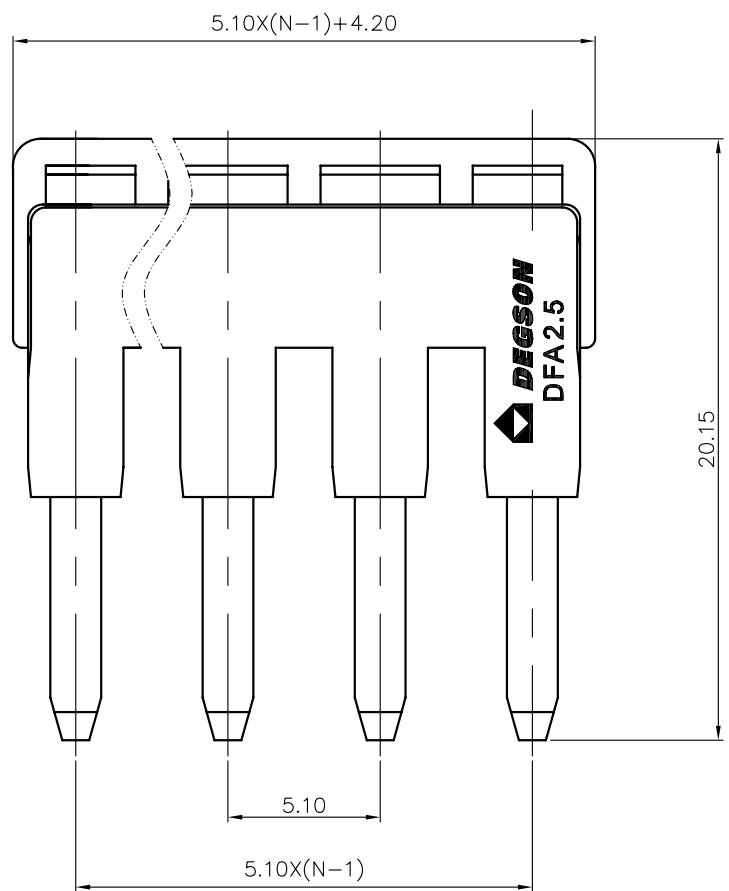
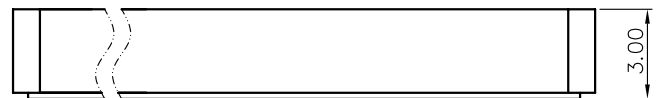


REVISION RECORD				
REV	ECN	DESCRIPTION	DRFT	DATE

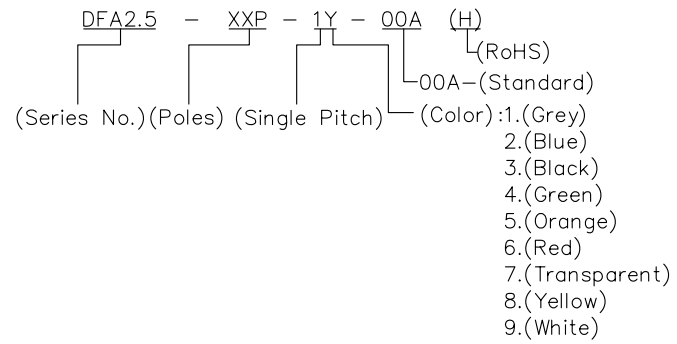


NOTES:

- 1.Dimension shall be interpreted per ASME Y14.5-2009
- 2.Pitch : 5.1mm, Poles : N=02~10P
- 3.Operating temperature: -40°C~+105°C
- 4.Undimensioned tolerances:

Pitch range in mm		Nominal dimension range in mm				-	∩	∇
TO	Over	Over	Over	Over	Over	0.1/10		
6	6	10	30	60	100	150		
±0.15	±0.20	±0.30	±0.30	±0.50	±0.70	±1.00	±1.30	±2'

5.RoHS Compliance



DETACHED LISTS	PART NO.: /	宁波高松电子有限公司 NINGBO DEGSON ELECTRICAL CO., LTD			
	APPD: /	NAME: DFA2.5-XXP-1Y-00A(H)			
	CHKD: /	TITLE: CUSTOMER DRAWING			
	DRFT: /	DRAWING NO.: /		REV	DO
THIRD ANGLE PROJECTION		MM (INCH)	DO NOT SCALE DRAWING	SHEET	1/1
			SCALE	1:1	

H
G
F
E
D
C
B
A

H
G
F
E
D
C
B
A