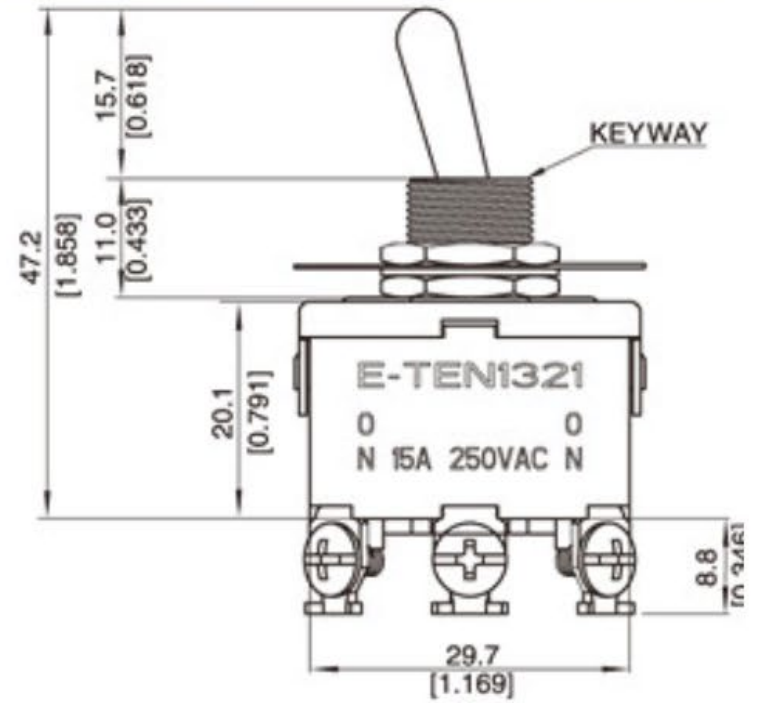
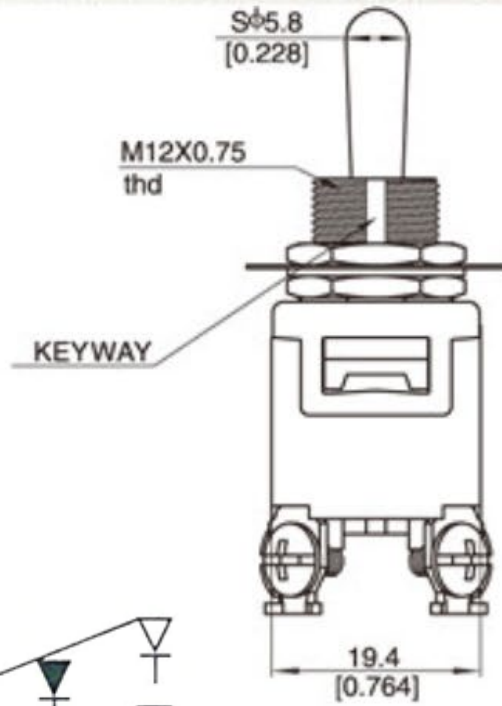
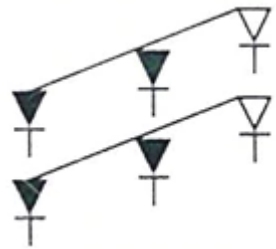
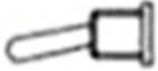
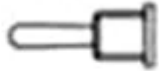



### Function signal

ETEN1321	ON	NONE	ON
ETEN212	ON	NONE	(ON)
ETEN1322	ON	OFF	ON
ETEN223	(ON)	OFF	(ON)



UNIT : mm±2mm

Item NO.	Circuitry trait			Switch Combination	Terminal Number
					
1021	ON	-	OFF	SPST	2P
1121	ON	-	ON	SPDT	3P
1122	ON	OFF	ON	SPDT	3P
1221	ON	-	OFF	DPST	4P
1321	ON	-	ON	DPDT	6P
1322	ON	OFF	ON	DPDT	6P
301	ON	-	OFF	3PST	6P
302	ON	-	ON	3PDT	9P
303	ON	OFF	ON	3PDT	9P