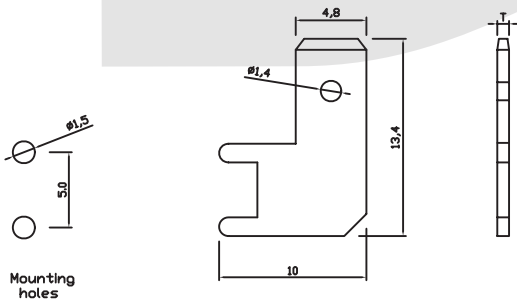


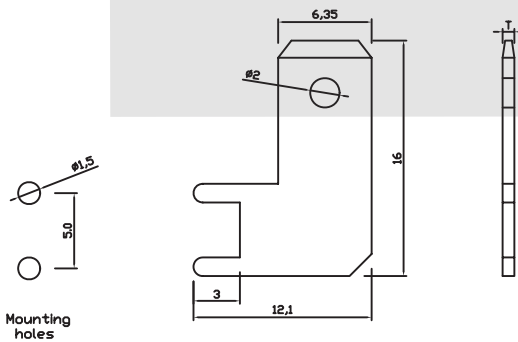
Terminals Series

KLS8-01130 Terminal Series

Terminal Material: Brass



PCF-187



PCF-250

Model No.	T	packing
PCF-187(5)	0.5	1000
PCF-187	0.8	
PCF-250	0.8	

ORDER INFORMATION

KLS8-01130 - PCF-187(5)

