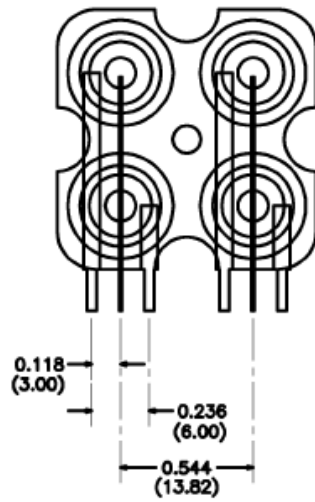
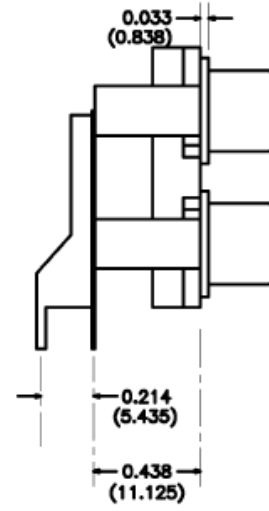


*FRONT*

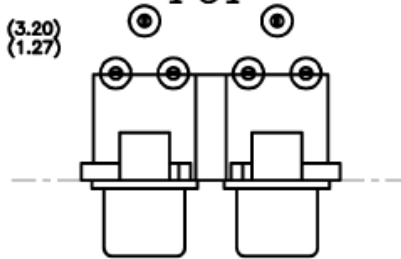


*SIDE*



*TOP*

PADS=  
0.125" OD (3.20)  
0.050" ID (1.27)



Dimension in mm  $\pm$  0.5mm