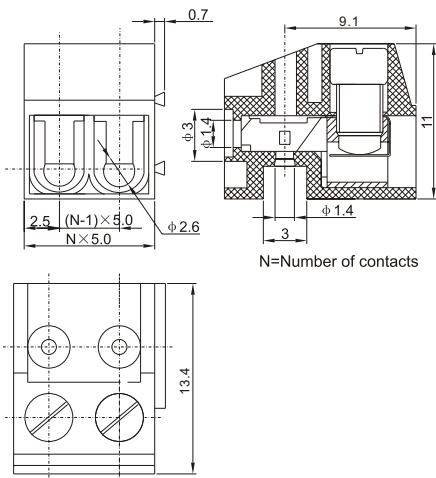




DG332K



Pitch:5mm

● **材质及电镀**

螺丝: M2.5, 钢, 镀锌
簧片: 磷青铜, 镀镍
塑件: PBT, UL94V-0

● **电气性能**

额定电压: 300V
额定电流: 10A
接触电阻: 20m Ω
绝缘电阻: 5000M Ω /1000V
耐电压: AC1500V/1Min
使用线径: 22-14AWG 2.5mm²

● **机械性能**

温度范围: -30°C~+120°C
瞬时温度: +250°C 5秒
扭矩: 0.4Nm (3.6lb.in)
剥线长度: 4.5mm

● **Material**

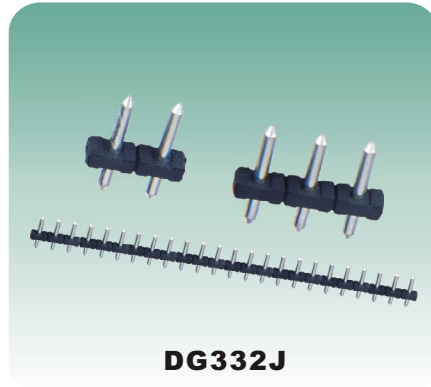
Screws: M2.5 steel Zinc plated
Wire guard: Phosphor bronze Ni plated
Housing: PBT, UL94V-0

● **Electrical**

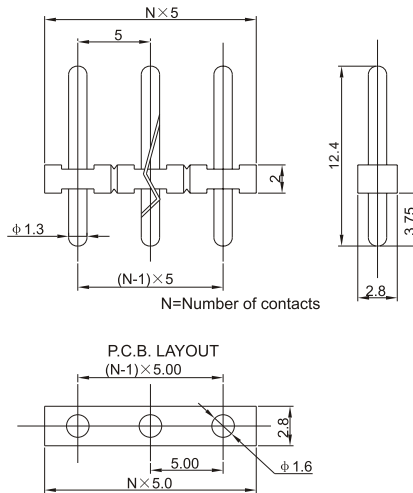
Rated voltage: 300V
Rated current: 10A
Contact resistance: 20m Ω
Insulation resistance: 5000M Ω /1000V
Withstanding voltage: AC1500V/1Min
Wire range: 22-14AWG 2.5mm²

● **Mechanical**

Temp.Range: -30°C~+120°C
MAX Soldering: +250°C, for 5 Sec.
Torque: 0.4Nm (3.6lb.in)
Strip length: 4.5mm



DG332J



Pitch:5mm

● **材质及电镀**

焊针: 黄铜, 镀锡
塑件: PBT, UL94V-0

● **电气性能**

额定电压: 300V
额定电流: 10A
接触电阻: 20m Ω
绝缘电阻: 5000M Ω /1000V
耐电压: AC1500V/1Min

● **机械性能**

温度范围: -30°C~+120°C
瞬时温度: +250°C 5秒

● **Material**

Pin header: Brass, Tin plated
Housing: PBT, UL94V-0

● **Electrical**

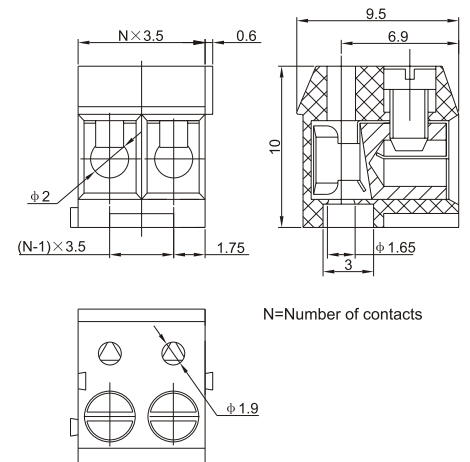
Rated voltage: 300V
Rated current: 10A
Contact resistance: 20m Ω
Insulation resistance: 5000M Ω /1000V
Withstanding voltage: AC1500V/1Min

● **Mechanical**

Temp.Range: -30°C~+120°C
MAX Soldering: +250°C, for 5 Sec.



DG333K



Pitch:3.5mm

● **材质及电镀**

螺丝: M2, 钢, 镀锌
簧片: 磷青铜, 镀镍
塑件: PBT, UL94V-0

● **电气性能**

额定电压: 300V
额定电流: 10A
接触电阻: 20m Ω
绝缘电阻: 5000M Ω /1000V
耐电压: AC1500V/1Min
使用线径: 28-16AWG 1.5mm²

● **机械性能**

温度范围: -30°C~+120°C
瞬时温度: +250°C 5秒
扭矩: 0.2Nm (1.8lb.in)
剥线长度: 4.5-5mm

● **Material**

Screws: M2 steel Zinc plated
Wire guard: Phosphor bronze Ni plated
Housing: PBT, UL94V-0

● **Electrical**

Rated voltage: 300V
Rated current: 10A
Contact resistance: 20m Ω
Insulation resistance: 5000M Ω /1000V
Withstanding voltage: AC1500V/1Min
Wire range: 28-16AWG 1.5mm²

● **Mechanical**

Temp.Range: -30°C~+120°C
MAX Soldering: +250°C, for 5 Sec.
Torque: 0.4Nm (3.6lb.in)
Strip length: 4.5-5mm