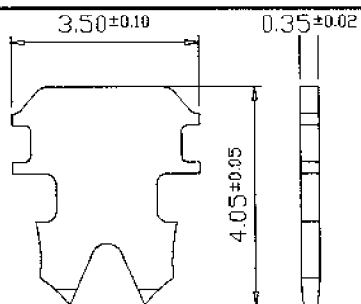
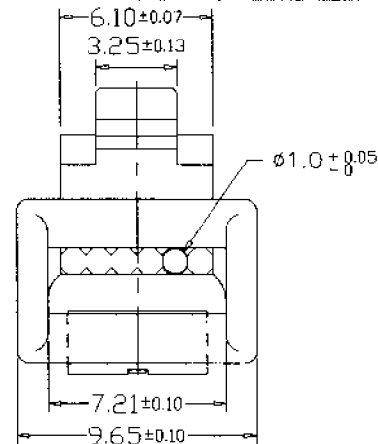
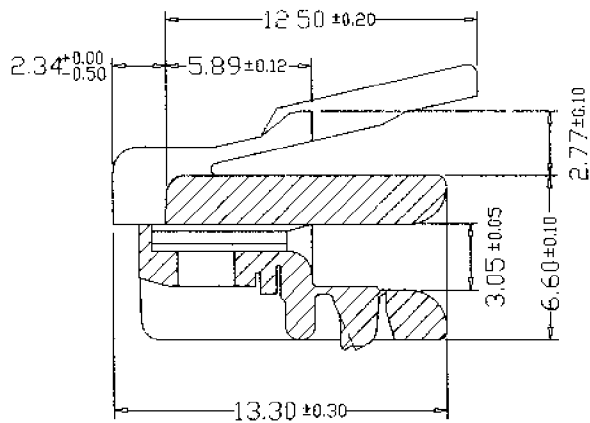
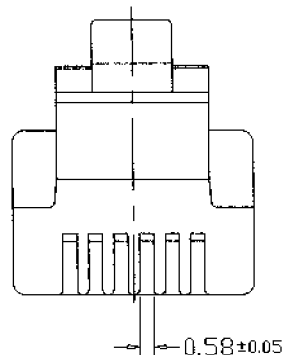
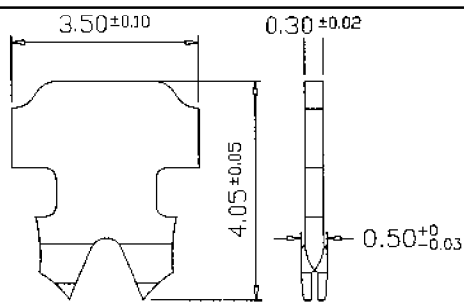


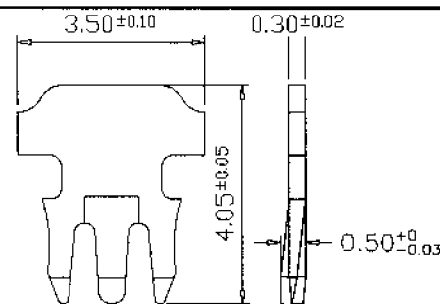
#108 : MP6P6C



“ ” : 2 PRONGS FOR STRANDED WIRE  
多芯線用二叉型金片



“2” : 2 PRONGS FOR SOLID WIRE(SS)  
單芯線用大拐角型金片



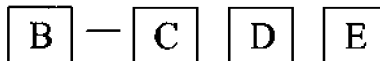
“3” : 3 PRONGS FOR SOLID WIRE(S)  
單芯線用三叉型金片

Standard Logo : COB     Special Logo : \_\_\_\_\_     Blank

產品編號 ITEM No.

UL 94V-0	<input type="checkbox"/> #108-0A	<input type="checkbox"/> #108-02A	<input type="checkbox"/> #108-03A	F $\mu$ l'
	<input type="checkbox"/> #108-0B	<input type="checkbox"/> #108-02B	<input type="checkbox"/> #108-03B	6 $\mu$ l'
	<input type="checkbox"/> #108-0C	<input type="checkbox"/> #108-02C	<input type="checkbox"/> #108-03C	15 $\mu$ l'
	<input type="checkbox"/> #108-0D	<input type="checkbox"/> #108-02D	<input type="checkbox"/> #108-03D	30 $\mu$ l'
	<input type="checkbox"/> #108-0E	<input type="checkbox"/> #108-02E	<input type="checkbox"/> #108-03E	50 $\mu$ l'
UL 94V-2	<input type="checkbox"/> #108-2A	<input type="checkbox"/> #108-22A	<input type="checkbox"/> #108-23A	F $\mu$ l'
	<input type="checkbox"/> #108-2B	<input type="checkbox"/> #108-22B	<input type="checkbox"/> #108-23B	6 $\mu$ l'
	<input type="checkbox"/> #108-2C	<input type="checkbox"/> #108-22C	<input type="checkbox"/> #108-23C	15 $\mu$ l'
	<input type="checkbox"/> #108-2D	<input type="checkbox"/> #108-22D	<input type="checkbox"/> #108-23D	30 $\mu$ l'
	<input type="checkbox"/> #108-2E	<input type="checkbox"/> #108-22E	<input type="checkbox"/> #108-23E	50 $\mu$ l'

#108



鍍金厚度 Gold plating(A,B,C,D,E)

金片型式 Contacts type(blank,2,3)

塑膠材質 Housing Material(0,2)

商標 Logo(COB,other or blank)

UNIT: m/m

COBLE ENTERPRISE CO., LTD.

TITLE #108\*-\*\* MP6P6C

APPROVE PETER KUO DESIGN C.M.CHEN

DATE 5-20-2004 F. No. 108