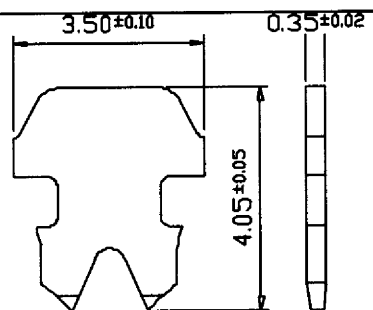
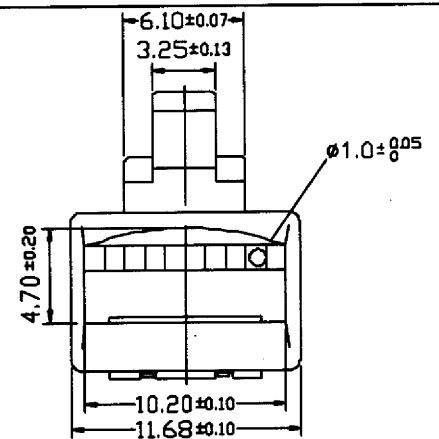
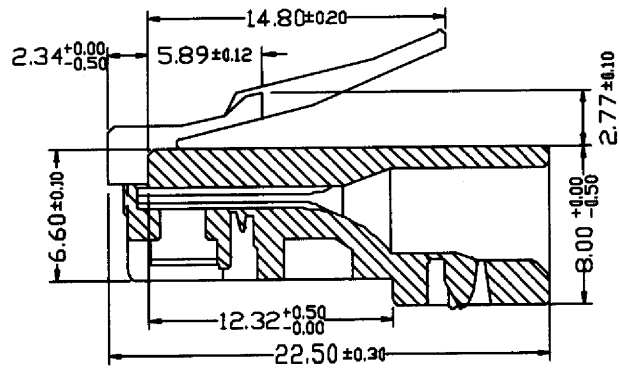
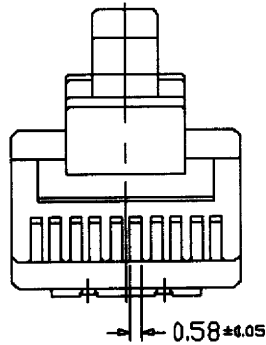
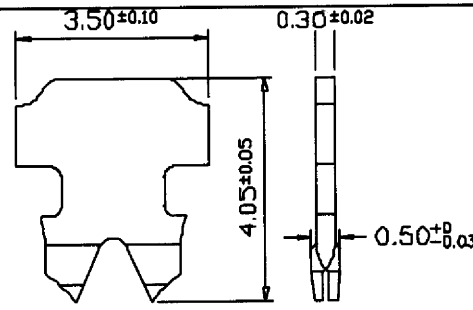


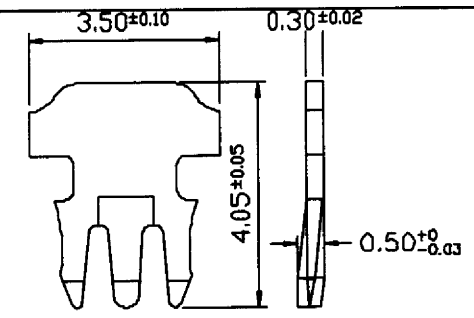
#112 : MP10P10C R



“ ” : 2 PRONGS FOR STRANDED WIRE
多芯線用二叉型金片



“2” : 2 PRONGS FOR SOLID WIRE(SS)
單芯線用大拐角型金片



“3” : 3 PRONGS FOR SOLID WIRE(S)
單芯線用三叉型金片

Standard Logo : COB Special Logo : _____ Blank

產品編號 ITEM No.

UL 94V-0	<input type="checkbox"/> #112-0A	<input type="checkbox"/> #112-02A	<input type="checkbox"/> #112-03A	F μ '
	<input type="checkbox"/> #112-0B	<input type="checkbox"/> #112-02B	<input type="checkbox"/> #112-03B	6 μ '
	<input type="checkbox"/> #112-0C	<input type="checkbox"/> #112-02C	<input type="checkbox"/> #112-03C	15 μ '
	<input type="checkbox"/> #112-0D	<input type="checkbox"/> #112-02D	<input type="checkbox"/> #112-03D	30 μ '
	<input type="checkbox"/> #112-0E	<input type="checkbox"/> #112-02E	<input type="checkbox"/> #112-03E	50 μ '
UL 94V-2	<input type="checkbox"/> #112-2A	<input type="checkbox"/> #112-22A	<input type="checkbox"/> #112-23A	F μ '
	<input type="checkbox"/> #112-2B	<input type="checkbox"/> #112-22B	<input type="checkbox"/> #112-23B	6 μ '
	<input type="checkbox"/> #112-2C	<input type="checkbox"/> #112-22C	<input type="checkbox"/> #112-23C	15 μ '
	<input type="checkbox"/> #112-2D	<input type="checkbox"/> #112-22D	<input type="checkbox"/> #112-23D	30 μ '
	<input type="checkbox"/> #112-2E	<input type="checkbox"/> #112-22E	<input type="checkbox"/> #112-23E	50 μ '

#112 B C D E

鍍金厚度 Gold plating(A,B,C,D,E)
金片型式 Contacts type(blank,2,3)
塑膠材質 Housing Material(0,2)
商標 Logo(COB,other or blank)

UNIT: m/m

COBLE ENTERPRISE CO., LTD.			
TITLE	#112*-** MP10P10C R		
APPROVE	PETER KUO	DESIGN	C.M.CHEN
DATE	11-20-2002	F. No.	112