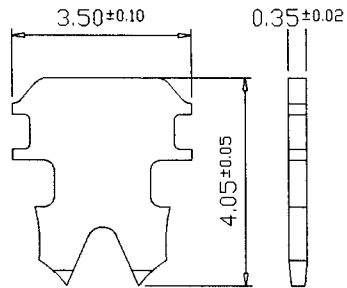
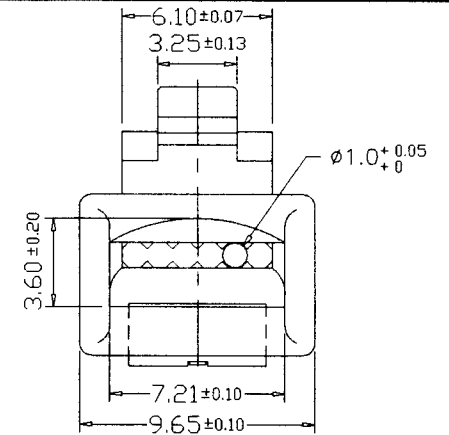
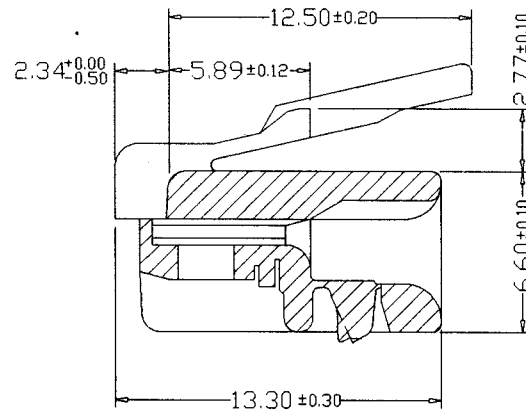
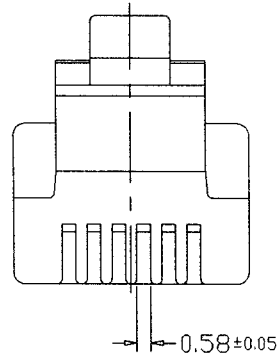
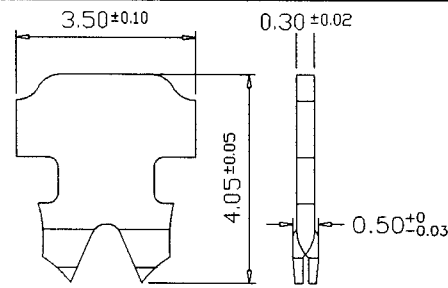


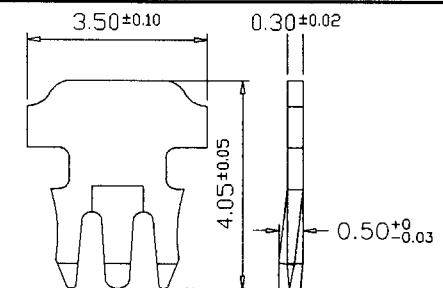
#109 : MP6P6C R



“ ” : 2 PRONGS FOR STRANDED WIRE  
多芯線用二叉型金片



“2” : 2 PRONGS FOR SOLID WIRE(SS)  
單芯線用大拐角型金片



“3” : 3 PRONGS FOR SOLID WIRE(S)  
單芯線用三叉型金片

Standard Logo : COB     Special Logo : \_\_\_\_\_     Blank

產品編號 ITEM No.

#109 [B] - [C] [D] [E]

UL 94V-0	<input type="checkbox"/> #109-0A	<input type="checkbox"/> #109-02A	<input type="checkbox"/> #109-03A	Fμ'
	<input type="checkbox"/> #109-0B	<input type="checkbox"/> #109-02B	<input type="checkbox"/> #109-03B	6μ'
	<input type="checkbox"/> #109-0C	<input type="checkbox"/> #109-02C	<input type="checkbox"/> #109-03C	15μ'
	<input type="checkbox"/> #109-0D	<input type="checkbox"/> #109-02D	<input type="checkbox"/> #109-03D	30μ'
	<input type="checkbox"/> #109-0E	<input type="checkbox"/> #109-02E	<input type="checkbox"/> #109-03E	50μ'
UL 94V-2	<input type="checkbox"/> #109-2A	<input type="checkbox"/> #109-22A	<input type="checkbox"/> #109-23A	Fμ'
	<input type="checkbox"/> #109-2B	<input type="checkbox"/> #109-22B	<input type="checkbox"/> #109-23B	6μ'
	<input type="checkbox"/> #109-2C	<input type="checkbox"/> #109-22C	<input type="checkbox"/> #109-23C	15μ'
	<input type="checkbox"/> #109-2D	<input type="checkbox"/> #109-22D	<input type="checkbox"/> #109-23D	30μ'
	<input type="checkbox"/> #109-2E	<input type="checkbox"/> #109-22E	<input type="checkbox"/> #109-23E	50μ'

鍍金厚度 Gold plating(A,B,C,D,E)

金片型式 Contacts type(blank,2,3)

塑膠材質 Housing Material(0,2)

商標 Logo(COB,other or blank)

UNIT: m/m

COBLE ENTERPRISE CO., LTD.

TITLE	#109*-** MP6P6C R
APPROVE	PETER KUO    DESIGN C.M.CHEN
DATE	5-20-2004    F. No. 109