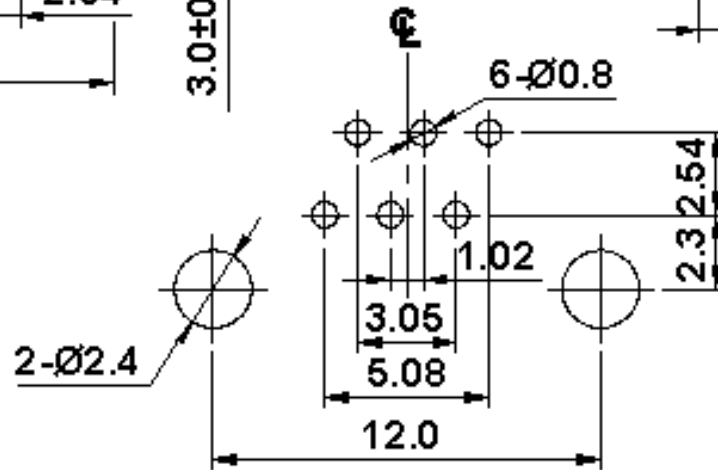
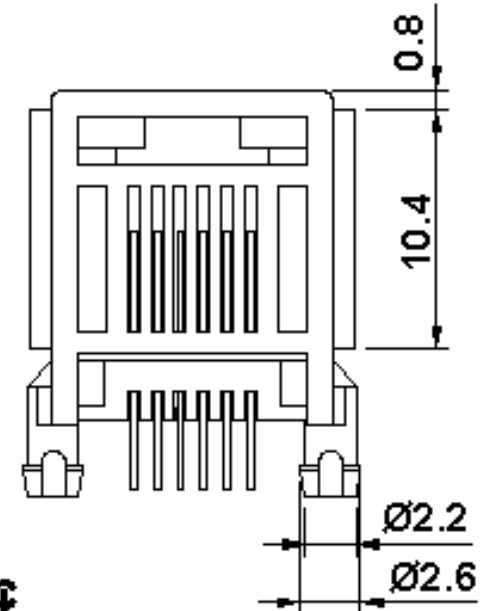
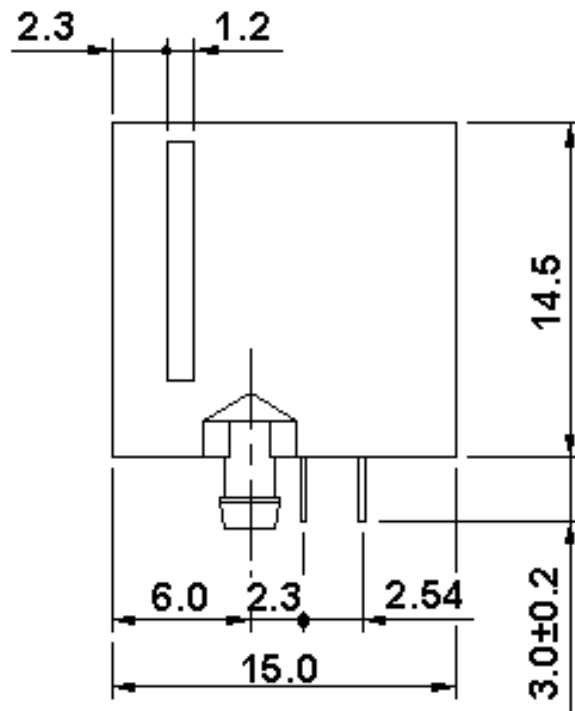
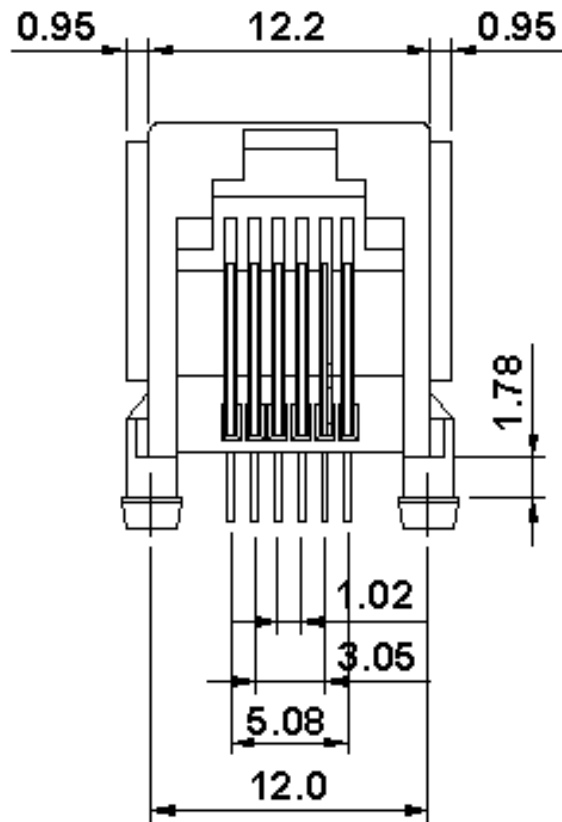


DEK623PCB-B



PCB LAYOUT

