



# 承认书

## SPECIFICATION

文件编号: DGKD/JS-DS-003

版 次: B/1

CUSTOMER NAME 客户名称: \_\_\_\_\_

CUSTOMER PARTS 客户编号: \_\_\_\_\_ 3010206

DESCRIPTION 产品系列: \_\_\_\_\_ DC POWER JACK

KWAN DA MODEL NO 型号: \_\_\_\_\_ DS-210B 2.5mm

KWAN DA PARTS NO 料号: \_\_\_\_\_ 40203210B005G

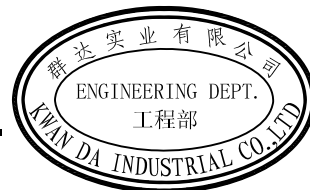
CUSTOMER MODEL NO 客户型号: \_\_\_\_\_

CUSTOMER PARTS NO 客户料号: \_\_\_\_\_

CUSTOMER APPROVED 客户承认	
<input type="checkbox"/> APPROVED 接受 <input type="checkbox"/> REJECTED 不接受	
CHECKED BY 审核:	APPROVED BY 承认:
DATE 日期:	DATE 日期:

DRAWN BY 制 訂	CHECKED BY 核 對	APPROVED BY 審 批	DESIGN DEPARTMENT 設 計 單 位	RoHS PRODUCT RoHS 產 品
姜志华	廖金明	周丽琼		
DATE: 2015-05-09	DATE: 2015-05-09	DATE: 2015-05-09		

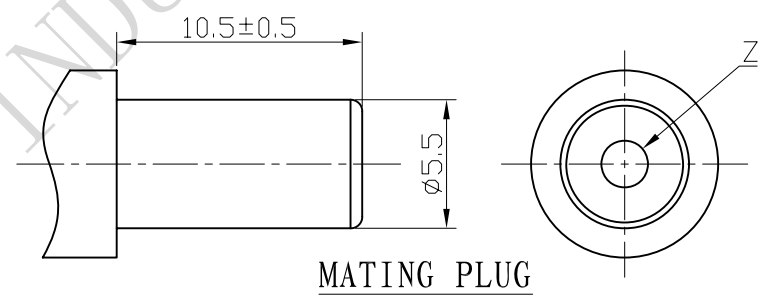
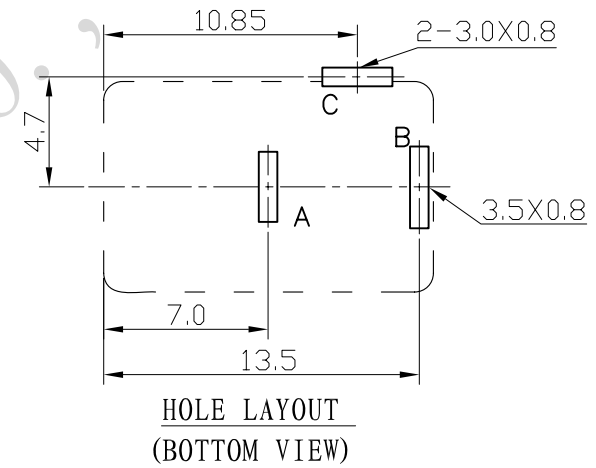
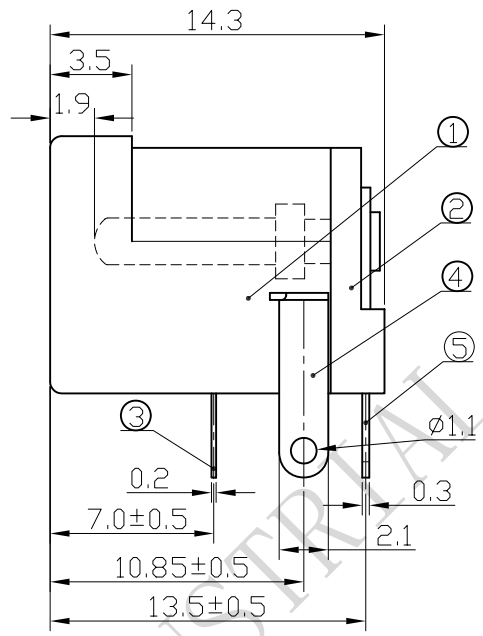
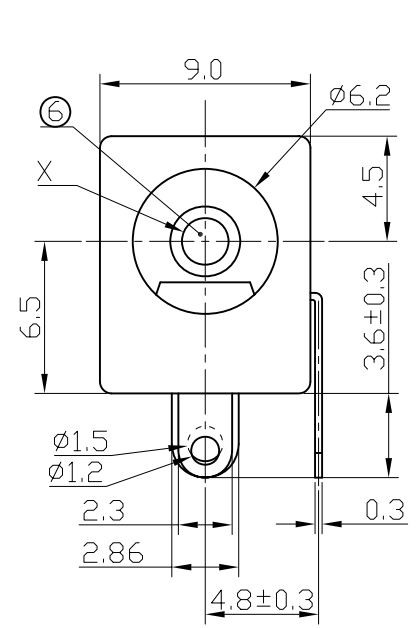
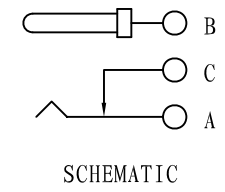
**群達實業有限公司**  
**KWAN DA INDUSTRIAL CO., LTD.**



廣東省東莞市東城周屋工業區龍華路

LONG HUA RD., ZHOU WU INDUSTRIAL DISTRICT, DONG CHENG,  
DONG GUAN CITY, GUANG DONG PROVINCE, CHINA.

TEL: 0769-22252343 22252346 FAX: 0769-22267156



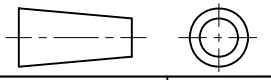
MODEL NO	X=	Z=
DS-210B-1.3	∅ 1.3	∅ 1.4
DS-210B-1.7	∅ 1.7	∅ 1.8
DS-210B-2.0	∅ 2.0	∅ 2.1
DS-210B-2.5	∅ 2.5	∅ 2.6



**KWAN DA INDUSTRIAL CO., LTD.**

TITLE : DC POWER JACK

MODEL : DS-210B



UNIT	DWN.	DATE	DATE
MM	麦志华	2015-05-09	2015-05-09
3 : 1	廖金明	2015-05-09	2015-05-09
01	周丽琼	2015-05-09	2015-05-09

TOLERANCE  
 ≤1.5mm ± 0.1  
 > 1.5mm ± 0.2  
 ≥10.0mm ± 0.3

ANGLE TOL  
 ± 2°

NO.	PART NAME	MATERIAL	QTY.	FINISHING
6	PIN	COPPER METAL ALLOY	1	Ni PLATED
5	TERMINAL B	BRASS STRIP	1	Ag PLATED
4	TERMINAL C	BRASS STRIP	1	Ag PLATED
3	SPRING A	SUS	1	Ag PLATED
2	COVER	POM	1	BLACK
1	CASE	POM	1	BLACK
NO.	PART NAME	MATERIAL	QTY.	FINISHING



## SPECIFICATION

## 承認書

KWAN DA INDUSTRIAL CO.,LTD.

群達實業有限公司

文件編號	DGKD/JS-DS-003	版本	B / 1	頁碼	共 3 頁, 第 1 頁
DESCRIPTION	產品系列: DC POWER JACK			DRAWN BY	制訂: 麥志華
MODEL NO	產品型號: DS-210B			CHECKED BY	核對: 廖金明
				APPROVED BY	審批: 周麗琼
1. RATING 額定值: 0.3A 30V DC					
2. ELECTRICAL CHARACTERISTICS 電氣性能規格:					
ITEM 項目		TEST CONDITIONS 測試條件		PERFORMANCE 性能	
2.1	CONTACT RESISTANCE 接觸電阻	MEASURED AT SMALL CURRENT (100 mA OR LESS) 1000HZ 在微小電流 (100 mA) 以下測試		100mΩ MAX. 100 毫歐以下。	
2.2	INSULATION RESISTANCE 絕緣電阻	APPLY A VOLTAGE OF 500V DC SHALL BE APPLIED FOR 1 MIN AFTER WHICH MEASUREMENT BE MADE: 1. BETWEEN CONDUCTORS NOT TO BE CONTACT 2. BETWEEN INDIVIDUAL TERMINALS AND FRAME 輸入 500V DC 電壓 1 分鐘, 按以下接觸方法測試: 1. 不接觸的插腳之間 2. 插腳與外殼之間		100MΩ MIN. 100 兆歐以上。	
2.3	DIELECTRIC STRENGTH 耐電壓	AC 500V rms (50~60HZ) FOR 5 SEC TRIP CURRENT: 0.5mA 1. BETWEEN INDIVIDUAL TERMINALS AND FRAME 2. BETWEEN CONDUCTORS NOT TO BE CONTACT 輸入 AC 500V (50~60HZ) 電壓, 5 秒鐘感應電流為 0.5mA, 按以下接觸方法測試: 1. 插座體與插腳之間 2. 不接觸的插腳之間		WITHOUT DAMAGE TO PARTS ARCING OR BREAKDOWN ETC. 沒有絕緣破壞等異常。	
3. MECHANICAL CHARACTERISTICS 機械性能規格:					
ITEM 項目		TEST CONDITIONS 測試條件		PERFORMANCE 性能	
3.1	CONNECTION FORCE 插入力度	MEASUREMENT SHALL BE MADE AFTER CONNECTING AND DISCONNECTING USING STANDARD PLUG GAUGE 3 TINES. 依據標準的 PLUG GAUGE 做 3 次拔插後測定。		0.3~3Kgf	
	DISCONNECTION FORCE 拔出力度	MEASUREMENT SHALL BE MADE AFTER CONNECTING AND DISCONNECTING USING STANDARD PLUG GAUGE 3 TINES. 依據標準的 PLUG GAUGE 做 3 次拔插後測定。		0.3~3Kgf	
3.2	TERMINAL STRENGTH 端子強度	A STATIC LOAD OF 150gf SHALL BE APPLIED TO THE TERMINAL FOR 15 SEC. IN ANY DIRECTION . 在插腳前端任意一個方向加 150gf 力度測試, 時間為 15 秒。		ELECTRICAL CHARACTERISTICS SHALL BE SATISFIED WITHOUT DAMAGE OR EXCESSIVE LOOSENESS OF TERMINALS. 在插腳中沒有裂開、鬆動異常, 滿足於機械、電氣性能。	



## SPECIFICATION

## 承認書

## KWAN DA INDUSTRIAL CO.,LTD.

## 群達實業有限公司

文件編號		DGKD/JS-DS-003	版本	B / 1	頁碼	共 3 頁, 第 2 頁
ITEM 專案		TEST CONDITIONS 測試條件			PERFORMANCE 性能	
3.3	PRACTICAL TEMPERATURE RANGE 使用溫度範圍	-16°C ~ +60°C 在 -16°C ~ +60°C 溫度內使用				
3.4	STANDARD ATMOSPHERIC CONDITIONS 測試標準狀態	UNLESS OTHERWISE SPECIFIED, THE STANDARD RANGE OF ATMOSPHERIC CONDITIONS FOR MAKING MEASUREMENTS AND TESTS ARE AS FOLLOWS: 1. AMBIENT TEMPERATURE: 5°C TO 35°C 2. RELATIVE HUMIDITY: 45% TO 85% 3. AIR PRESSURE: 86Kpa TO 106Kpa 在沒有指定的情況下測試溫度、濕度、氣壓如下: 1. 溫度為 5~35°C 2. 濕度為 45%~85% 3. 氣壓為 86Kpa~106Kpa				
4. ENDURANCE CHARACTERISTICS (耐久性):						
ITEM 專案		TEST CONDITIONS 測試條件			PERFORMANCE 性能	
4.1	MECHANICAL-LIFE TEST 機械壽命	JACK SHALL BE SUBJECTED TO 5,000 CYCLES AT A SPEED OF 15~18 PER MINUTE WITHOUT LOAD. 插座在無負荷的條件下以每分鐘 15~18 回的速度進行 5,000 次的測試。			1. CONTACT RESISTANCE: $\leq 200\text{m}\Omega$ 2. INSULATION RESISTANCE: $\geq 50\text{M}\Omega$ 3. UNDER A VOLTAGE 500V AC (50Hz) WITHOUT DESTROYING AND LOSSING. 4. OPERATING FORCE $\pm 50\%$ SPEC. 5. NO DEFORMATION AND LOOSENESS 1. 接觸電阻: $\leq 200$ 毫歐 2. 絕緣電阻: $\geq 50$ 兆歐 3. 施加 50Hz 500V 的交流電壓無擊穿和飛孤現象。 4. 作動力變化範圍規格值 $\pm 50\%$ 5. 開關外觀無異常, 鉚合部分應牢固, 緊固部分應無鬆動。	
4.2	SOLDERABILITY TEST 可焊性試驗	THE TOP OF THE TERMINALS SHALL BE DIPPED 2mm IN THE SOLDER BATH OF $240 \pm 5^\circ\text{C}$ FOR $3 \pm 0.5$ SECONDS. 端子頂部被浸入錫焊池中 2mm 深, 溫度為 $240 \pm 5^\circ\text{C}$ , 時間為 $3 \pm 0.5$ 秒。			THE AREA OF SOLDERABILITY SHOULD BE OVER 75%. 焊接面積要有 75% 以上。	
4.3	RESISTANCE TO SOLDERING HEAT TEST 耐焊性試驗	SOLDER BATH METHOD: SOLDER TEMPERATURE $250 \pm 5^\circ\text{C}$ IMMERSION TIME $3 \pm 0.5$ SEC IMMERSION DEPTH UP TO THE SURFACE OF THE BOARD THICKNESS OF PRINTED WIRING BOARD 1.6mm DIMENSIONS OF COMPONENT HOLES IN THE PRINTED WIRING BOARD SHALL BEING ACCORDANCE WITH THOSE SPECIFIED IN THIS SPECIFICATION. 焊爐焊接的時間溫度控制在 $250 \pm 5^\circ\text{C}$ , 過爐時間為 $3 \pm 0.5$ 秒, 於 (基板) 厚度 1.6mm.			WITHOUT DEFORMATION OF CASE OR EXCESSIVE LOOSENESS OF TEMINALS. ELECTRICAL CHARACTERISTICS SHALL BE SATISFIED. 本體無變形, 能滿足於機械、電氣性能。	



PECIFICATION

承認書

KWAN DA INDUSTRIAL CO.,LTD.

群達實業有限公司

文件編號	DGKD/JS-DS-003	版本	B / 1	頁碼	共 3 頁, 第 3 頁	
ITEM 項目	TEST CONDITIONS 測試條件			PERFORMANCE 性能		
4.4	COLD TEST 耐冷試驗	THE SWITCH SHALL BE STORED AT A TEMPERATURE OF $-25 \pm 3^{\circ}\text{C}$ FOR 48 HOURS. AND THEN IT SHALL BE SUBJECTED TO THE CONTROLLED RECOVERY CONDITIONS FOR 1 HOUR AFTER WHICH MEASUREMENT SHALL BE MADE. 開關放置在溫度 $-25 \pm 3^{\circ}\text{C}$ 中 48 小時後, 再放置常溫常濕中 1 小時來進行測試。			THERE SHALL BE NO DEFORMATION OR CRACKS IN MOLDED PART. 外觀無異常, 滿足於機械、電氣性能。	
4.5	HEAT TEST 耐熱試驗	THE SWITCH SHALL BE STORED AT A TEMPERATURE OF $70 \pm 2^{\circ}\text{C}$ FOR 48 HOURS. THEN THE SWITCH SHALL BE MAINTAINED AT STANDARD ATMOSPHERIC CONDITIONS FOR 1 HOUR AFTER WHICH MEASUREMENT SHALL BE MADE. 開關放置在溫度 $70 \pm 2^{\circ}\text{C}$ 中測試 48 小時後, 再放置正常室溫中 1 小時來測定。			THERE SHALL BE NO DEFORMATION OR CRACKS IN MOLDED PART. 外觀無異常, 滿足於機械、電氣性能。	
4.6	HUMIDITY TEST 潮濕試驗	THE JACK SHALL BE STORED AT A TEMPERATURE OF $40 \pm 2^{\circ}\text{C}$ AND A HUMIDITY OF 90% TO 95% FOR 96 HOURS. THEN THE SWITCH SHALL BE MAINTAINED AT STANDARD ATMOSPHERIC CONDITION FOR 1 HOUR PROCEDURES BE MADE. 放置 $40 \pm 2^{\circ}\text{C}$ 的相對濕度為 90%~95% 環境中 96 小時後, 再將樣板放在正常環境 1 小時後進行測試。			THERE SHALL BE NO DEFORMATION OR CRACKS IN MOLDED PART. 外觀無異常, 滿足於機械、電氣性能。	
5	CONSERVATION TEMPERATURE 保存溫度	THE SWITCHES' STORE CONDITIONS REQUIREMENT AND STORE TIME LIMIT: 1. THE SWITCHES PACKED IN THE CARTON BOARD BOXES AND WOODEN BOXES CAN BE TRANSPORTED BY ANY KINDS OF VEHICLES, BUT NEED AVOIDING BEING STRICKEN BY RAIN, SNOW AND MECHANISM. 2. THE SWITCHES SHOULD BE KEPT UNDER THE BELOW CONDITIONS: THE TEMPERATURE IS KEPT WITHIN THE LIMITS OF SUBZERO THEN DEGREE CENTIGRADE TO FORTY DEGREE CENTIGRADE; THE RELATIVE HUMIDITY SHOULD BE NOT MORE THAN EIGHTY PERCENT AND THERE IS NO ACID, ALKALI, SULFIDE, OZONE, ALKALINE AIR AND ANY OTHER POISONOUS GAS AROUND THE STOREHOUSE. 開關保存條件要求和期限: 1. 裝有產品的紙箱或木箱允許用任何方法運輸, 唯需避免雨雪直接淋襲和機械撞擊。 2. 產品應存放在環境為 $-10 \sim +40^{\circ}\text{C}$ , 相對濕度不大於 80%, 周圍空氣不應有酸、堿、硫化物、臭氧、氨氣及其它對產品有害氣體的倉庫內。				
6	CHINA OF ORIGIN 原產國	MADE IN DONG GUAN CHINA. 中國東莞製造。				
7	ROHS COMPLIANT 符合 RoHS 指令	ON THE RESTRICTION OF THE USE OF CERTAIN HAZARDOUS SUBSTANCES IN ELECTRICAL AND ELECTRONIC EQUIPMENT, THE USE OF PROHIBITED SUBSTANCE IS LIMITED TO: 1. Cd $<100\text{ppm}$ ; 2. Pb, Hg, Cr (VI), PBB AND PBDE $<1000\text{ppm}$ . 3. INCLUDE THE RANGE OF THAT RoHS RELEASE. 電子電氣設備中限制使用某種特定有害物質, 禁用物質允許最大含量值的 MCV: 1. Cd 為 $<100\text{ppm}$ ; 2. Pb, Hg, Cr (VI), PBB AND PBDE 為 $<1000\text{ppm}$ . 3. 包括 RoHS 最新豁免的範圍。			MEET THE ABOVE REQUIREMENT. 符合要求。	