



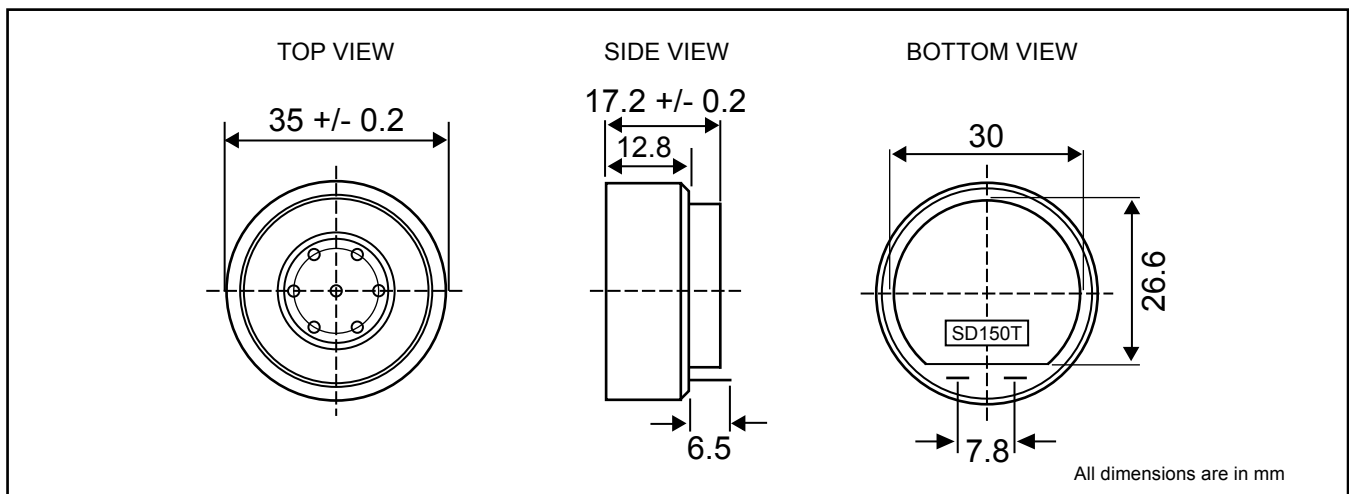
SPL (Hong Kong) Limited

Rm 2507, 25/F, Prosperity Centre, 25 Chong Yip St., Kwun Tong, Kln., HK.
Tel: 852-23426867 / 57 Fax: 852-23426847 Email: sales@spl-hk.com.hk
www.buzzer.com.hk ; www.transducer.com.hk ; www.connector.com.hk

Dynamic Receiver SD150T series

DIMENSIONS

Date : 05 Nov. 2002



ELECTRICAL SPECIFICATIONS

Model No.	SD150T
Sensitivity At 1 KHz (IEC318 Coupler)	99 +/- 2 dB
Input Power At 1 KHz	60 mV
Frequency Range	300 ~ 4000 Hz
AC. Impedance At 1 KHz	150 Ohm +/- 20 %
HAC Competible	No
Terminal	Plate
Housing Material	ABS + ALUMINIUM
Colour	Silver
Operating Temperature \square [°C]	-20 ~ +60
Weight \square \square [gm]	36