

| REV. | ECN NO. | DESCRIPTION | DATE |
|------|---------|-------------|-----------|
| A | | REDRAWN | NOV.02.01 |

| Position | Dimension | | |
|----------|-----------|-------|-------|
| | A | B | C |
| 6 | 12.22 | 5.08 | 6.35 |
| 8 | 14.76 | 7.82 | 8.89 |
| 10 | 17.30 | 10.16 | 11.43 |
| 12 | 19.84 | 12.70 | 13.97 |
| 14 | 22.38 | 15.24 | 16.51 |
| 16 | 24.92 | 17.78 | 19.05 |
| 18 | 27.46 | 20.32 | 21.59 |
| 20 | 30.00 | 22.66 | 24.13 |
| 24 | 35.08 | 27.94 | 29.21 |
| 26 | 37.62 | 30.48 | 31.75 |
| 30 | 42.70 | 35.56 | 36.63 |
| 34 | 47.78 | 40.64 | 41.91 |
| 36 | 50.32 | 43.18 | 44.45 |
| 40 | 55.40 | 48.26 | 49.53 |
| 44 | 60.48 | 53.34 | 54.81 |
| 50 | 68.10 | 60.96 | 62.23 |
| 60 | 80.80 | 73.68 | 74.93 |
| 64 | 85.88 | 78.74 | 80.01 |

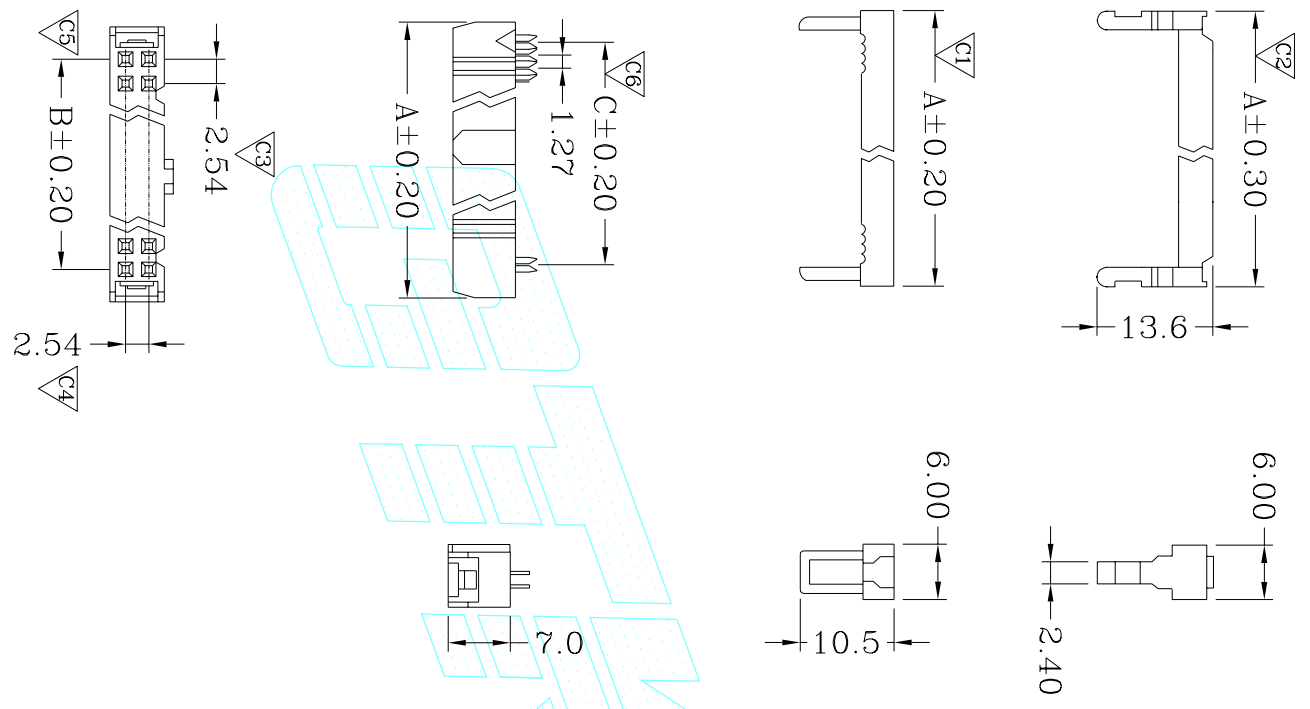
MATERIAL

Insulator: PBT+30% Glass Fiber (UL 94V-0)
 Contact: Phosphor Bronze or Brass
 Contact Plated: Gold or Tin over Nickel.

ELECTRICAL CHARACTERISTICS

Current Rating: 1 AMP
 Withstanding Voltage: AC 500V r.m.s.
 Insulator Resistance: 1000Megohms Minimum at DC 500V.
 Contact Resistance: 15 Milliohms Maximum
 Operating Temperature: -40°C~+105°C

NOTE: 1. DIMENSIONS MARKED ∇ TO BE CHECKED BY GTK QC



| | | | | |
|--------------------------------------|-------------|------------|---|----------------|
| TOLERANCE UNLESS OTHERWISE SPECIFIED | | PROJECTION | GOLD-TEK ELECTRIC CO., LTD. | |
| LINEAR | ANGLE | UNITS | TITLE | PART NO. |
| X. ± | X° ± | MM [INCH] | IDC SOCKET PITCH:2.54MM ROW TO ROW 2.54MM | SC**T(G)A(B)11 |
| XX ± 0.2 | X° ± | | | |
| XX ± 0.10 | XX° ± | SCALE | C/PART NO | |
| .XXX± | .XXX°± | | | |
| APPD | | SIZE | | |
| CHKD | | A4 | | |
| DRAW/CHANG | NOV.02.2001 | | | |

圖面編號:GTKSD0254-A(1)